

CT01 | Recessed Aluminum Extrusion

BEULUX

CT01 recessed aluminum extrusion is a tiny channel to fit into narrow spaces. Due to its reduced size it is suited for lower output tape light like L90 – L270, RGB, and Tunable White. It is made of anodized aluminum and can be cut on site. To be installed without diffuser or with one out of the CT diffuser range CT99-60L, CT99-DL, or CT99-AL.

Product Detail

Extrusion: CT01

Material: Extruded aluminum

Color: Anodized silver

Size in Inch : L 78 ¾ X W 45/64 X H 13/64

Customization: Cut to any length

Compatibility

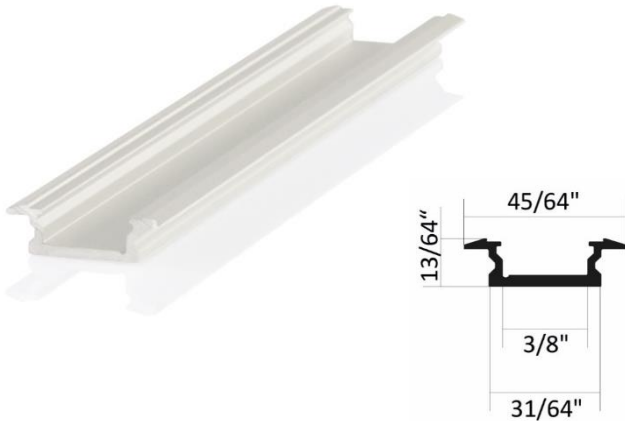
Tapelight: Maximum 270 lm/ft, RGB, TW

Lens: Clear, drop, asymmetrical lens

Accessories: Mounting clip, end cap

Connector: Connector, cable, power feed

Power Supply: Dimming, Non-Dimming



Compatible Lens



CT99-60L

60° Clear lens

PMMA, 93% transmission



CT99-DL

Satined drop lens

PMMA, 82% transmission



CT99-AL

Asymmetric lens, 5°x80°

PMMA, 93% transmission

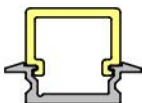
CT01 Extrusion + Lens

60° Lens



CT01 +
CT99-60L

Drop Lens



CT01 +
CT99-DL

5° x 80° Lens



CT01 +
CT99-AL

Compatible Accessories

Mounting Clip



CT01/02-MC

End Cap



CT01/02-EC
For use with
CT99-AL, CT99-60L

End Cap



CT01/02-ECD
For use with
CT99-DL

Tape Light

Output	IP Rating	Color Temp
L90 = 90 lumens/ft L180 = 180 lumens/ft L270 = 270 lumens/ft	IP00 = Indoor IP66 = Outdoor	CT27 = 2700k CT30 = 3000k CT40 = 4000k
	IP00 = Indoor	CT35 = 3500k
RGB = Color Changing	IP00 = Indoor IP66 = Outdoor	None
TW = Tunable White	IP00 = Indoor IP66 = Outdoor	CT27-40 = 2700k-4000k

Technical Information

Output	L90	L180	L270	RGB	Tunable White
LEDs/ft	36	36	36	18	72
Lumens/ft @ 4000K	90	180	270	Max 110	460
Consumption (watt/ft)	0.73	1.62	2.5	2.2	4.12
Efficacy @ 4000k (lumens/watt)	123	111	108		111
CRI	>80	>80	>80		>80
Voltage	24	24	24	24	24
Maximum run length	75'	52'	35'	20'	30'
Customization increment	2"	2"	2"	4"	2"

Ordering Code

Extrusion	Lens	Tapelight			Mounting	End Cap
CT01	- DL	- L90	IP00	CT27	- MC	- EC
CT01	60L - 60° Lens DL - Drop Lens AL - Asymm. Lens	L90 – 90 lm/ft L180 – 180 lm/ft L270 – 270 lm/ft RGB - Color Changing TW - Tunable White	IP00 IP66	CT27 - 2700K CT30 - 3000K CT35 - 3500K CT40 - 4000K	MC – Mounting Clip	EC – End Cap ECD – End Cap for Drop Lens

Power Supply

Model	Power	IP	Input	Output	Dimension (Inch) LxWxH						
TR = Non-Dimming	50 = 50 watt 75 = 75 watt 100 = 100 watt 150 = 150 watt	IP00	88-264V	24V	3.90 X 3.82 X 1.42 5.08 X 3.82 X 1.50 6.26 X 3.82 X 1.50 7.84 X 3.85 X 1.50						
	12 = 12 watt 16 = 16 watt 25 = 25 watt 35 = 35 watt				IP42	90-264V	3.03 X 1.57 X 1.14 3.03 X 1.57 X 1.14 3.31 X 2.24 X 1.16 3.31 X 2.24 X 1.16				
	20 = 20 watt 35 = 35 watt 60 = 60 watt 100 = 100 watt						IP67	90-264V	4.65 X 1.38 X 1.02 5.83 X 1.57 X 1.18 6.40 X 1.67 X 1.26 7.48 X 2.05 X 1.46		
	DTR =Dimming (0-10V)	16 = 16 watt 25 = 25 watt 40 = 40 watt 60 = 60 watt 90 = 90 watt 100 = 100 watt 120 = 120 watt 150 = 150 watt 185 = 185 watt 240 = 240 watt 320= 320 watt 600 = 600 watt	IP67		90-305V	24V			5.83 X 1.57 X 1.26 5.83 X 1.57 X 1.26 6.40 X 1.70 X 1.26 6.40 X 1.70 X 1.26 6.34 X 2.40 X 1.42 8.66 X 2.68 X 1.53 8.66 X 2.68 X 1.53 8.97 X 2.68 X 1.58 8.97 X 2.68 X 1.58 9.88 X 2.68 X 1.58 9.92 X 3.54 X 1.72 11.02 X 5.67 X 1.91		
		DTR – FP = Dimming (Forward Phase)							20 = 20 watt 40 = 40 watt 60 = 60 watt 75 = 75 watt 96 = 96 watt	IP67	120V

Power Supply Ordering Code

Model	Power	IP	Description
TR	50	IP00	Non-Dimming, 50 watt, IP00, 88-264V output, 24V input
DTR	16	IP67	0-10V Dimming, 16 watt, IP67, 90-305V output, 24V input
DTR-FP	20	IP67	Forward Phase-Dimming, 20 watt, IP67, 120V output, 24V

Customization

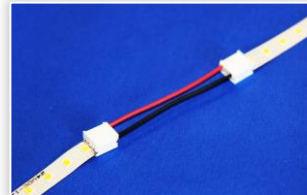
Code	Description	Customization
T20-CUST	Tapelight Customizing	Cut tape to exact length (2" increments)
TL20-CUST	Tapelight Customizing + Lead Wires	Cut tape to exact length + solder 4' lead wire
E20-CUST	Extrusion Customizing	Cut tape & extrusion to exact length, installing tape, add strain relief, and solder 4' lead wire
E20-CUST-C	Extrusion Customizing Color	
E20IP68-1-CUST	Extrusion Customizing IP68 for 1-2 feet	
E20IP68-3-CUST	Extrusion Customizing IP68 for 3-4 feet	
E20IP68-5-CUST	Extrusion Customizing IP68 for 5-6 feet	

Connectors

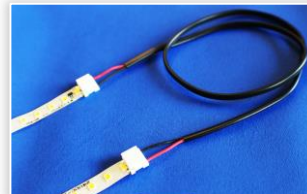
CON-S
Splice connector



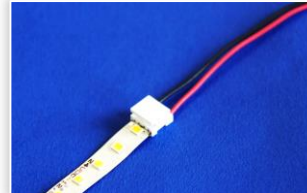
CON2-JC
Jumper Cable with
2" cable



CON20-JC
Jumper Cable with
20" cable



CON20-PF
Power feed for white
tapelight with 20" cable



CON20RGB-PF
Power feed for RGB
tapelight with 20" cable

