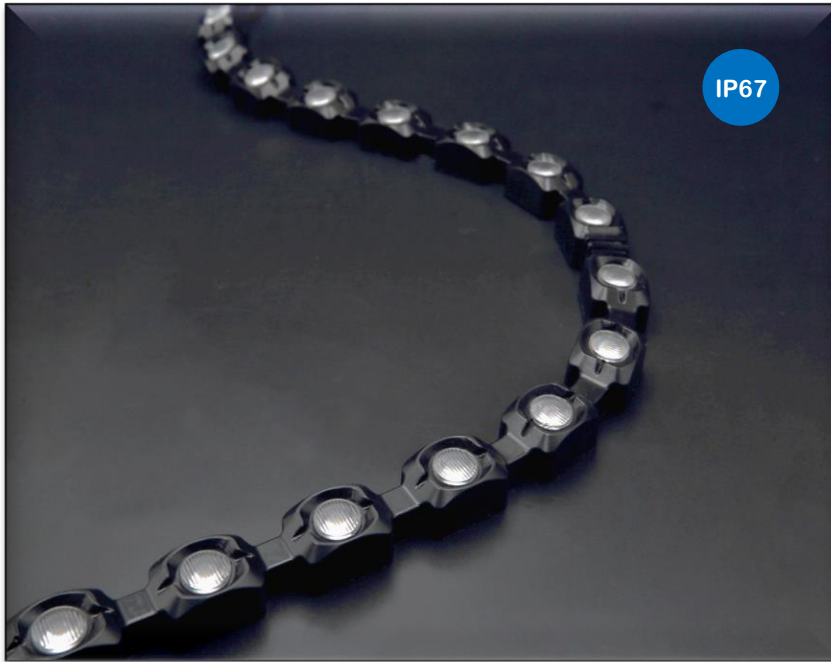


Double FlexBeam Specifications

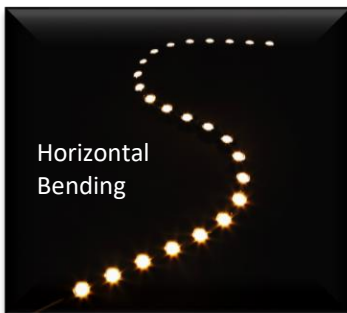


Double FlexBeam is a fantastic new solution for challenging architectural applications. It combines precise optics, power and high flexibility with capability to bend both horizontally and vertically. Various beam spreads increase the flexibility and help finding the perfect solution for various lighting challenges.

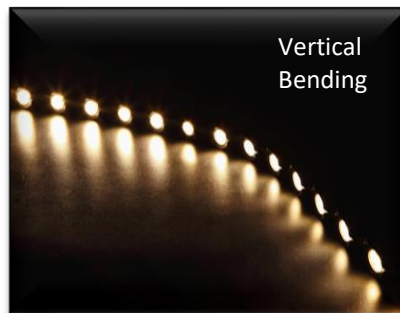


Architectural applications:

- Columns grazing
- Curved walls grazing
- Cupolas grazing
- Curved covers
- Wall grazing
- Wall washing
- Accent lighting
- Pathway lighting



Horizontal Bending



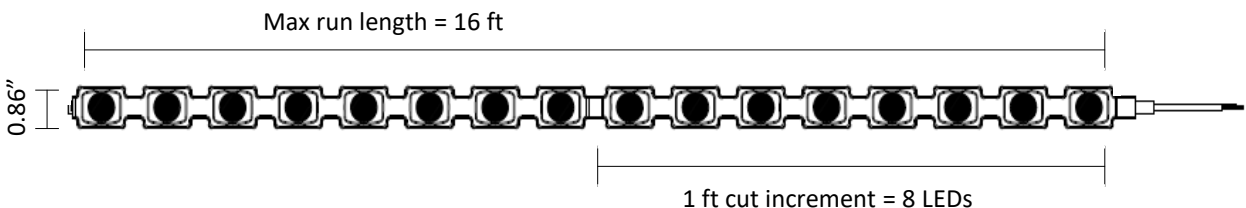
Vertical Bending

Optics:

10° x 45°

25° x 45°

30° x 30°



Double FlexBeam Specifications



Technical Information

Product Optic	CCT	Output (lm/ft)	LEDs/ft	Consump. (watt/ft)	Efficacy (lm/watt)	CRI	Voltage	Max run length	Cut increment
10° x 45°	2700K	420	8	6.0	~95	>90	24	16'	1'
	3000K	420	8	6.0	~95	>90	24	16'	1'
	3500K	450	8	6.0	~95	>90	24	16'	1'
	4000K	455	8	6.0	~95	>90	24	16'	1'
25° x 45°	2700K	600	8	6.0	~95	>90	24	16'	1'
	3000K	600	8	6.0	~95	>90	24	16'	1'
	3500K	600	8	6.0	~95	>90	24	16'	1'
	4000K	600	8	6.0	~95	>90	24	16'	1'
30° x 30°	2700K	621	8	6.0	~95	>90	24	16'	1'
	3000K	621	8	6.0	~95	>90	24	16'	1'
	3500K	621	8	6.0	~95	>90	24	16'	1'
	4000K	621	8	6.0	~95	>90	24	16'	1'

Ordering Code

Example: DFB-D1045P67CT30-4'

Double FlexBeam, 10° x 45° optic, IP67, 3000K, 4ft



DFB Double FlexBeam

D1045 10° x 45°
D2545 25° x 45°
D3030 30° x 30°

IP67 Outdoor

CT27 2700K
CT30 3000K
CT35 3500K
CT40 4000K

Enter run length

Double FlexBeam Specifications



Accessories

DFB11-EC



End Cap

DFB11-PF48



Power Feed

DFB11-CN



Connector

DFB11-
JC6/12/24/48



Jumper Cable
6", 12", 24", 48"

DFB11-GS



Glare Shield

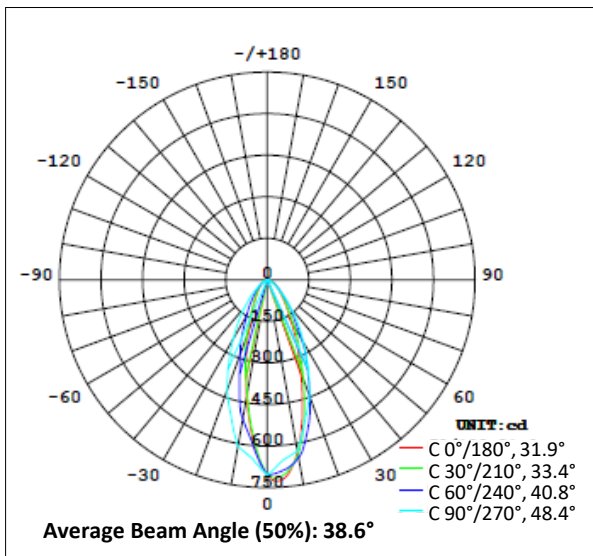
DFB11-MC1



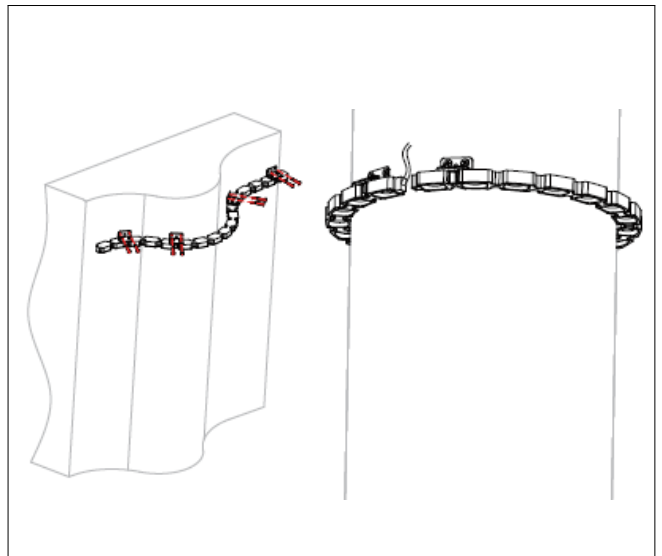
DFB11-MC2



Photometric



Column Application



Double FlexBeam Specifications



Power Supply Ordering Codes

DTR		+	60		+	IP67		DTR60IP67 - Dimming, 60 Watt, IP67			
MODEL		+	POWER		+	IP RATING		INPUT	OUTPUT	DIMENSION	
NTR Non-Dimming	50 50 Watt	IP00 Indoor	88-264V	24V	3.90 x 3.82 x 1.42						
						75 75 Watt	5.08 x 3.82 x 1.50				
						100 100 Watt	6.26 x 3.82 x 1.50				
						150 150 Watt	7.84 x 3.85 x 1.50				
						200 200 Watt	8.46 x 4.53 x 1.18				
	320 320 Watt	8.46 x 4.53 x 1.18									
			12 12 Watt	IP42 Indoor	90-264V	24V	3.03 x 1.57 x 1.14				
							16 16 Watt	3.03 x 1.57 x 1.14			
							25 25 Watt	3.31 x 2.24 x 1.16			
							35 35 Watt	3.31 x 2.24 x 1.16			
	20 20 Watt	IP67 Outdoor	90-264V	24V	4.65 x 1.38 x 1.02						
					35 35 Watt	5.83 x 1.57 x 1.18					
					60 60 Watt	6.40 x 1.67 x 1.26					
					100 100 Watt	7.48 x 2.05 x 1.46					
					150 150 Watt	7.52 x 2.48 x 1.48					
240 240 Watt	9.61 x 2.68 x 1.53										
DTR Dimming (0-10V)	16 16 Watt	IP67 Outdoor	90-305V	24V	5.83 x 1.57 x 1.26						
					25 25 Watt	5.83 x 1.57 x 1.26					
					40 40 Watt	6.40 x 1.70 x 1.26					
					60 60 Watt	6.40 x 1.70 x 1.26					
					90 90 Watt	6.34 x 2.40 x 1.42					
					100 100 Watt	8.66 x 2.68 x 1.53					
					120 120 Watt	8.66 x 2.68 x 1.53					
					150 150 Watt	8.97 x 2.68 x 1.58					
					185 185 Watt	8.97 x 2.68 x 1.58					
					240 240 Watt	9.88 x 2.68 x 1.58					
					320 320 Watt	9.92 x 3.54 x 1.72					
					480 480 Watt	10.32 x 4.92 x 1.72					
600 600 Watt	11.02 X 5.67 X 1.91										
FPD Dimming (Forward Phase)	20 20 Watt	IP67 Outdoor	120V	24V	4.92 x 2.20 x 0.79						
					40 40 Watt	4.92 x 2.20 x 0.79					
					60 60 Watt	4.92 x 2.20 x 0.79					
					75 75 Watt	4.92 x 2.20 x 0.79					
					96 96 Watt	4.92 x 2.20 x 0.79					
					150 150 Watt	9.24 x 3.00 x 2.74					



Caution

Warranty is VOID if any of the below are violated

