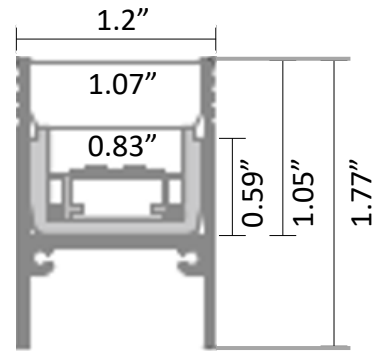


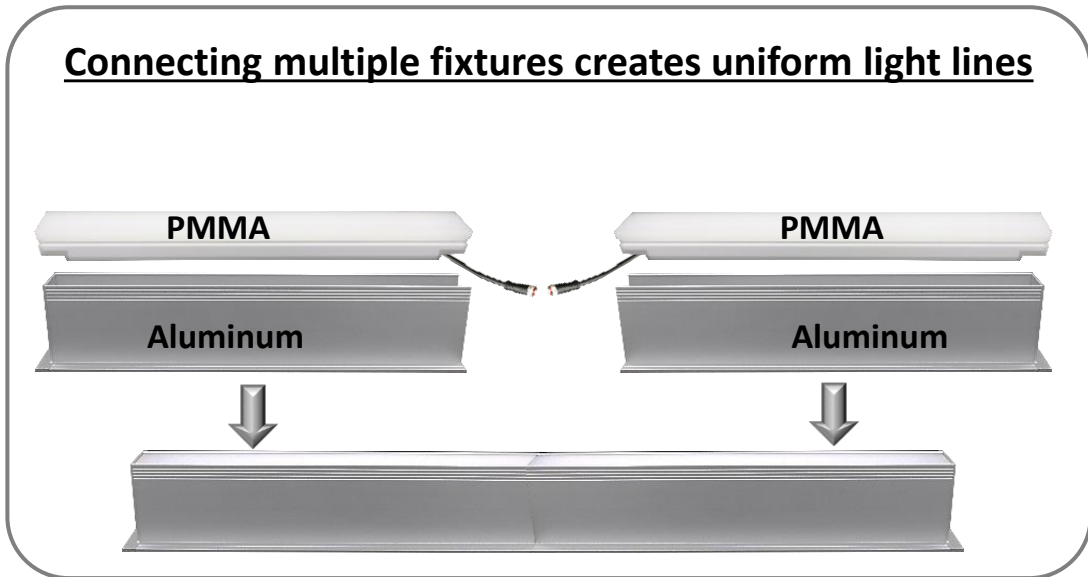
Phantom OS – Surface In Ground Fixture



Phantom IG is a recessed walk-over fixture that consists of the outer solid aluminum and the sturdy inner, one-piece PMMA extrusion. This fixture can withstand a maximum weight of 30kN and is considered IP67. To be used with the flanges in the ground or above ground, both is possible. It creates uniform light lines and can be used as single fixture or combining several fixtures without shadows to create continuous seamless light lines and makes for an excellent outdoor and indoor ingrade uplight.



IP67



Phantom OS – Surface In Ground Fixture



Technical Information

Product	CCT	Output (lm/ft)	LEDs/ft	Consump. (watt/ft)	Efficacy (lm/watt)	CRI	Voltage	Max run length	Cut increment
PHOS-100	2700K	87	36	1.6	54	>90	24	55'	2"
	3000K	90	36	1.6	56	>90	24	55'	2"
	3500K	94	36	1.6	59	>90	24	55'	2"
	4000K	102	36	1.6	64	>90	24	55'	2"
PHOS-180	2700K	154	36	2.9	53	>90	24	42'	2"
	3000K	171	36	2.9	59	>90	24	42'	2"
	3500K	175	36	2.9	60	>90	24	42'	2"
	4000K	181	36	2.9	62	>90	24	42'	2"
PHOS-250	2700K	216	36	4.3	50	>90	24	32'	2"
	3000K	243	36	4.3	57	>90	24	32'	2"
	3500K	250	36	4.3	58	>90	24	32'	2"
	4000K	253	36	4.3	59	>90	24	32'	2"
PHOS-400	2700K	333	36	6.9	48	>90	24	24'	2"
	3000K	370	36	6.9	54	>90	24	24'	2"
	3500K	378	36	6.9	55	>90	24	24'	2"
	4000K	393	36	6.9	57	>90	24	24'	2"
TW2740	2700K-4000K	60-853	73	5.8	23	>90	24	16'	2"
RGB	RGB	RGB	36	7.3	15	N/A	24	16'	2"
RGBW	RGBW	RGBW	29	7.3	23	N/A	24	16'	2.5"

Ordering Code

PHOS + **400** + **35** + **24** = **PHOS-40035-24**

Phantom OS
400 lm/ft, 3500K, 2 ft

1 - Product Line	2 - Output	3 - Color Temp	4 - Length
PHOS = Phantom OS	100 = ~100 lm/ft 180 = ~180 lm/ft 250 = ~200 lm/ft 400 = ~400 lm/ft	27 = 2700k 30 = 3000k 35 = 3500k 40 = 4000k	12 = 1 ft 24 = 2 ft 36 = 3 ft 48 = 4 ft 60 = 5 ft 78 = 6.5 ft
	RGB = Red/Green/Blue	N/A	
	TW = Tunable White	2740 = 2700k-4000k	

Phantom OS – Surface In Ground Fixture



Power Supply Ordering Code

DTR + 60 + IP67 = Dimming, 60 watt, IP67, 90-305V output, 24V

1 - Model	2 - Power	3 - IP	Input	Output	Dimension (Inch) LxWxH
NTR = Non-Dimming	50 = 50 watt 75 = 75 watt 100 = 100 watt 150 = 150 watt	IP00 = Indoor	88-264V	24V	3.90 X 3.82 X 1.42 5.08 X 3.82 X 1.50 6.26 X 3.82 X 1.50 7.84 X 3.85 X 1.50
	12 = 12 watt 16 = 16 watt 25 = 25 watt 35 = 35 watt	IP42 = Indoor	90-264V		3.03 X 1.57 X 1.14 3.03 X 1.57 X 1.14 3.31 X 2.24 X 1.16 3.31 X 2.24 X 1.16
	20 = 20 watt 35 = 35 watt 60 = 60 watt 100 = 100 watt	IP67 = Outdoor	90-264V		4.65 X 1.38 X 1.02 5.83 X 1.57 X 1.18 6.40 X 1.67 X 1.26 7.48 X 2.05 X 1.46
DTR = Dimming (0-10V)	16 = 16 watt 25 = 25 watt 40 = 40 watt 60 = 60 watt 90 = 90 watt 100 = 100 watt 120 = 120 watt 150 = 150 watt 185 = 185 watt 240 = 240 watt 320 = 320 watt 600 = 600 watt	IP67 = Outdoor	90-305V	24V	5.83 X 1.57 X 1.26 5.83 X 1.57 X 1.26 6.40 X 1.70 X 1.26 6.40 X 1.70 X 1.26 6.34 X 2.40 X 1.42 8.66 X 2.68 X 1.53 8.66 X 2.68 X 1.53 8.97 X 2.68 X 1.58 8.97 X 2.68 X 1.58 9.88 X 2.68 X 1.58 9.92 X 3.54 X 1.72 11.02 X 5.67 X 1.91
FPD = Dimming (Forward Phase)	20 = 20 watt 40 = 40 watt 60 = 60 watt 75 = 75 watt 96 = 96 watt	IP67 = Outdoor	120V	24V	4.92 X 1.97 X 0.77 4.92 X 1.97 X 0.77 4.92 X 1.97 X 0.77 4.92 X 1.97 X 0.77 4.92 X 1.97 X 0.77

Compatible Accessories

End Cap



PH02-EC

Connector



CON4X4-JC

Connector



CON8X8-JC