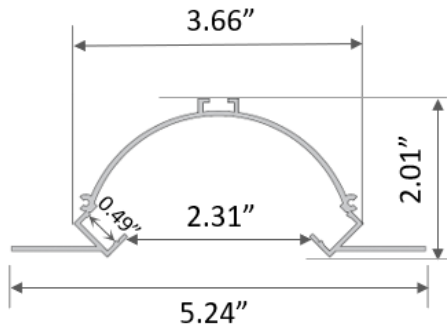


The AA01 offers a sleek, flangeless dome design for captivating indirect lighting, creating a 3D-effect that transforms spaces with extraordinary architectural detail. Its fully regressed design enhances environments with subtle, elegant illumination.

AA01W + AA99-SL
Satin Lens

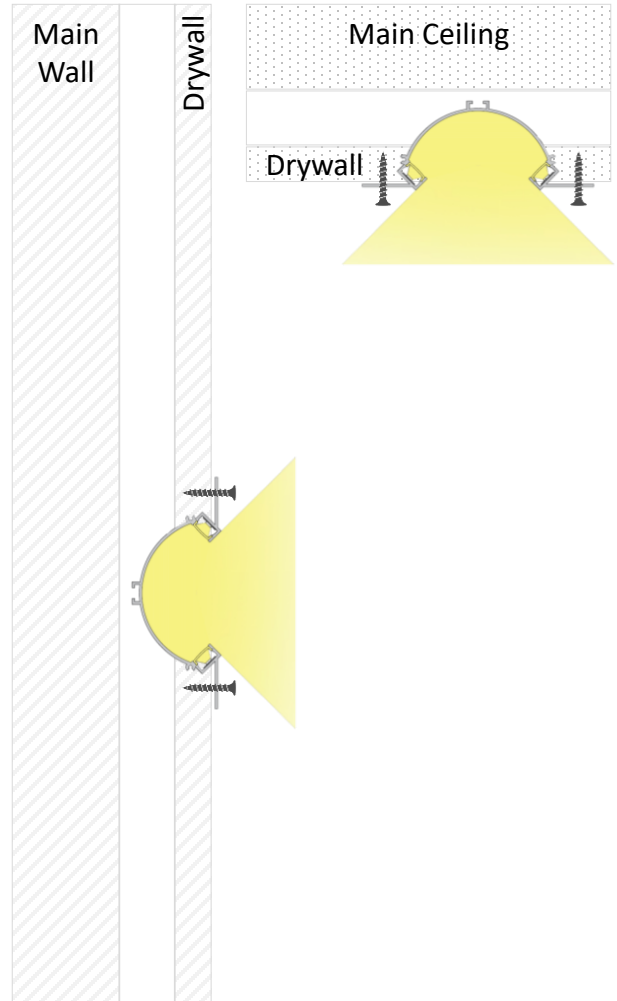
AA01W + AA99-CL
Clear Lens



AA01-EC
End Cap

BL15-CN180
Linear Connector

BL15-CN90
90° Connector



Product Detail

Material: Extruded Aluminum
 Color: Powder Coated White
 Dimension (in): L 78.74" x W 5.24" x H 2.01"
 Customization: Cut to specified length

Applications

- Recessed Flangeless
- Indirect Lighting
- Office
- Hallways
- Retail
- Healthcare

Compatible LED Tapelight

Product	Output (lm/ft)	LEDs/ft	Consump. (watt/ft)	Efficacy (lm/watt)	CRI	Voltage	Max Length	Min Cut
---------	----------------	---------	--------------------	--------------------	-----	---------	------------	---------

Florence (Specification Grade)

L90	~ 90	36	~ 0.73	~ 123	>90	24V	75'	1.97"
L200	~ 200	36	~ 1.46	~ 140	>90	24V	49'	1.97"
L360	~ 360	36	~ 3.12	~ 117	>90	24V	42'	1.97"
L500	~ 500	36	~ 4.39	~ 135	>90	24V	36'	1.97"
L780	~ 780	36	~ 6.72	~ 108	>90	24V	24'	1.97"
L990	~ 990	36	~ 9.36	~ 106	>90	24V	16'	1.97"

Athens (Economy)

L240	~ 240	36	~ 2.29	~ 115	>90	24V	39'	1.97"
L460	~ 460	36	~ 4.27	~ 115	>90	24V	26'	1.97"
L680	~ 680	36	~ 6.40	~ 105	>90	24V	20'	1.97"

Compatible SOB Tapelight

Product	Output (lm/ft)	IP Rating	Consump. (watt/ft)	Efficacy (lm/watt)	CRI	Voltage	Max Length	Min Cut
---------	----------------	-----------	--------------------	--------------------	-----	---------	------------	---------

Coblence H (High CRI)

L195	~ 195	IP20	~ 2.93	~ 80	>97	24V	49'	1.97"
L220	~ 220	IP67	~ 2.93	~ 80	>97	24V	65'	1.97"
L325	~ 325	IP67	~ 4.88	~ 70	>97	24V	32'	1.16"

Coblence S (Specification Grade)

L280	~ 280	IP20	~ 2.93	~ 100	>90	24V	49'	1.97"
L335	~ 335	IP67	~ 2.93	~ 120	>90	24V	65'	1.97"
L465	~ 465	IP67	~ 4.88	~ 100	>90	24V	32'	1.16"

Ordering Code: AA01 + Tapelight + Accessories + Lengths

AA01	- SL	- F	- L200	IP00	CT35	- EC	- LC	- 4'		
Extrusion	Lens	Tapelight			End Cap	Mounting	Length			
AA01	SL – Satined Lens	F – Florence	L90	~90 lm/ft	IP00	CT27	EC – End Cap	LC – Linear Connector	Enter run length	
			L200	~200 lm/ft	IP66	CT30				2700K
			L360	~360 lm/ft		CT35				3000K
			L500	~500 lm/ft		CT40				3500K
			L780	~780 lm/ft						4000K
			L990	~990 lm/ft						
		A – Athens	L240	~240 lm/ft	IP00	CT27	2700K			
			L460	~460 lm/ft	IP66	CT30	3000K			
			L680	~680 lm/ft		CT35	3500K			
		CH – Coblence H	L195	~195 lm/ft	IP20	CT27	2700K			
			L220	~220 lm/ft	IP67	CT30	3000K			
			L235	~235 lm/ft	IP67	CT35	3500K			
CS – Coblence S	L280	~280 lm/ft	IP20	CT27	2700K					
	L335	~335 lm/ft	IP67	CT30	3000K					
	L465	~465 lm/ft	IP67	CT35	3500K					
					CT40	4000K				

Power Supply Ordering Codes

DTR		+	60		+	IP67		DTR60IP67 - Dimming, 60 Watt, IP67								
MODEL		+	POWER		+	IP RATING		INPUT	OUTPUT	DIMENSION						
NTR Non-Dimming [UL Recognized]		+	50	50 Watt	+	IP00	Indoor	88-264V	24V	3.90 x 3.82 x 1.42						
			75	75 Watt						5.08 x 3.82 x 1.50						
			100	100 Watt						6.26 x 3.82 x 1.50						
			150	150 Watt						7.84 x 3.85 x 1.50						
			200	200 Watt						8.46 x 4.53 x 1.18						
			320	320 Watt						8.46 x 4.53 x 1.18						
			750	750 Watt						9.84 x 5.00 x 1.61						
			960	960 Watt						11.60 x 5.00 x 1.61						
			12	12 Watt						+	IP42	Indoor	90-264V	24V	3.03 x 1.57 x 1.14	
			16	16 Watt											3.03 x 1.57 x 1.14	
25	25 Watt	3.31 x 2.24 x 1.16														
35	35 Watt	3.31 x 2.24 x 1.16														
		+	20	20 Watt	+	IP67	Outdoor	90-264V	24V	4.65 x 1.38 x 1.02						
										35	35 Watt	5.83 x 1.57 x 1.18				
										60	60 Watt	6.40 x 1.67 x 1.26				
										100	100 Watt	7.48 x 2.05 x 1.46				
										150	150 Watt	7.52 x 2.48 x 1.48				
										240	240 Watt	9.61 x 2.68 x 1.53				
										320	320 Watt	9.92 x 3.54 x 1.72				
										DTR Dimming min 10% (0-10V) [UL Recognized]		+	16	16 Watt	+	IP30
25	25 Watt	+	IP67	Outdoor	90-305V	24V	5.83 x 1.57 x 1.26									
40	40 Watt						6.40 x 1.70 x 1.26									
60	60 Watt						6.40 x 1.70 x 1.26									
90	90 Watt						6.34 x 2.40 x 1.42									
96	96 Watt						8.66 x 2.68 x 1.53									
120	120 Watt						8.66 x 2.68 x 1.53									
150	150 Watt						8.97 x 2.68 x 1.58									
185	185 Watt						8.97 x 2.68 x 1.58									
240	240 Watt						9.88 x 2.68 x 1.58									
320	320 Watt						9.92 x 3.54 x 1.72									
480	480 Watt	10.32 x 4.92 x 1.72														
600	600 Watt	11.02 X 5.67 X 1.91														
FPD Dimming min 1% (Forward Phase) [UL Recognized]		+	20	20 Watt	+	IP67	Outdoor	120V	24V	4.92 x 2.20 x 0.79						
			40	40 Watt						4.92 x 2.20 x 0.79						
			60	60 Watt						4.92 x 2.20 x 0.79						
			75	75 Watt						4.92 x 2.20 x 0.79						
			96	96 Watt						4.92 x 2.20 x 0.79						
			FPD Dimming min 1% (Forward Phase) with junction box [ETL Listed]							+	20	20 Watt	+	IP14	Outdoor	120V
40	40 Watt	5.60 x 2.00 x 2.14														
60	60 Watt	6.62 x 2.58 x 2.33														
96	96 Watt	6.62 x 2.58 x 2.33														
150	150 Watt	9.80 x 3.00 x 2.74														
200	200 Watt	9.80 x 3.00 x 2.74														
300	300 Watt	10.07 x 4.20 x 3.50														

CUSTOMIZATION	TL48	DC99	LN99	EX99	M99	C99	F48	F48C	IP68
Cutting tapelight to specified length + solder 4ft leadwire	✓						✓	✓	
Daisy Chain: Cut tapelight to specified length and daisy chain jumper cable between 2 run lengths		✓							
Installing tapelight onto extrusion							✓	✓	
Cutting diffuser to specified length			✓				✓	✓	
Cutting extrusion to specified length				✓			✓	✓	
Miter corner extrusion and diffuser					✓				
Filling extrusion with polyurethane (2 ft submersible)									✓
Customize extrusion to specified color						✓		✓	
Final function and quality inspection	✓	✓	✓	✓	✓	✓	✓	✓	✓