

The BA02, crafted from durable anodized aluminum, is designed to house the powerful 120V Madrid tape and Flexbeam, along with compatibility for most Beulux tape lights. Its adaptable design is suitable for surface, recessed, or pendant mounting, offering versatile lighting solutions.

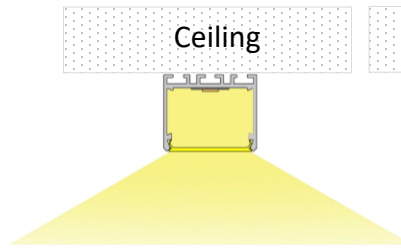
BA02 + BA02-SLS
Seamless
Satined Lens



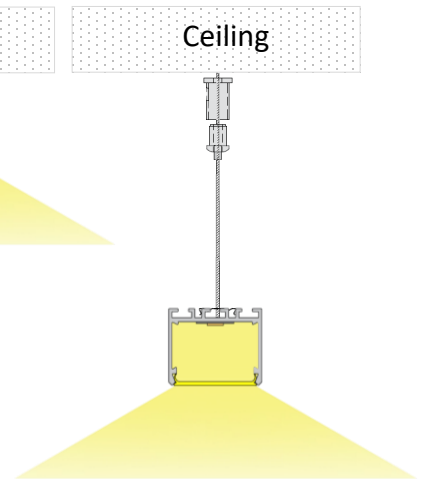
BA02 + BA02-CL
Clear Lens



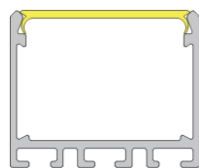
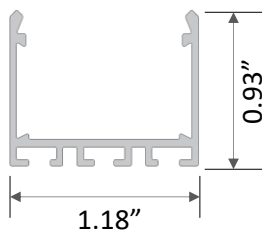
Surface Mount



Pendant



Seamless Lens available up to 65.5 ft



BA02-EC
End Cap



BA02-MC
Mounting Clip



Product Detail

Material:	Extruded Aluminum
Color:	Anodized Silver
Dimension (in):	L 78.74" x W 1.18" x H 0.93"
Customization:	Cut to specified length

Applications

- | | |
|--|----------------------------------|
| <input type="checkbox"/> Façade | <input type="checkbox"/> Ceiling |
| <input type="checkbox"/> Surface Mount | <input type="checkbox"/> Office |
| <input type="checkbox"/> Wall | <input type="checkbox"/> Hallway |
| <input type="checkbox"/> Cove | |

Compatible LED Tapelight

Product	Output (lm/ft)	LEDs/ft	Consump. (watt/ft)	Efficacy (lm/watt)	CRI	Voltage	Max Length	Min Cut
---------	----------------	---------	--------------------	--------------------	-----	---------	------------	---------

Florence (Specification Grade)

L90	~ 90	36	~ 0.73	~ 123	>90	24V	75'	1.97"
L200	~ 200	36	~ 1.46	~ 140	>90	24V	49'	1.97"
L360	~ 360	36	~ 3.12	~ 117	>90	24V	42'	1.97"
L500	~ 500	36	~ 4.39	~ 135	>90	24V	36'	1.97"
L780	~ 780	36	~ 6.72	~ 108	>90	24V	24'	1.97"
L990	~ 990	36	~ 9.36	~ 106	>90	24V	16'	1.97"
RGB-3535	~ 170	36	~ 4.4	~ 39	N/A	24V	23'	1.97"
RGB-3838	~ 280	73	~ 5.0	~ 56	N/A	24V	16'	1.00"
RGB-5050	~ 230	29	~ 7.0	~ 23	N/A	24V	13'	2.46"
RGBW	~ 330	29	~ 7.3	~ 47	N/A	24V	13'	2.46"
TW1865	~ 60-850	73	~ 5.8	~ 10-146	>90	24V	16'	1.97"
TW2740	~ 210-430	73	~ 5.8	~ 36-74	>90	24V	16'	1.97"
Dim-To-Warm	~ 168	73	~ 4.4	~ 38	>90	24V	16'	1.97"

Athens (Economy)

L240	~ 240	36	~ 2.29	~ 115	>90	24V	39'	1.97"
L460	~ 460	36	~ 4.27	~ 115	>90	24V	26'	1.97"
L680	~ 680	36	~ 6.40	~ 105	>90	24V	20'	1.97"

Madrid (Line Voltage)

L300	~ 300	18	~ 4.0	~ 75	>90	120V	164'	4.0"
L500	~ 500	28	~ 6.0	~ 85	>90	120V	100'	3.0"

Compatible SOB Tapelight

Product	Output (lm/ft)	IP Rating	Consump. (watt/ft)	Efficacy (lm/watt)	CRI	Voltage	Max Length	Min Cut
---------	----------------	-----------	--------------------	--------------------	-----	---------	------------	---------

Coblence H (High CRI)

L195	~ 195	IP20	~ 2.93	~ 80	>97	24V	49'	1.97"
L220	~ 220	IP67	~ 2.93	~ 80	>97	24V	65'	1.97"
L325	~ 325	IP67	~ 4.88	~ 70	>97	24V	32'	1.16"

Coblence S (Specification Grade)

L280	~ 280	IP20	~ 2.93	~ 100	>90	24V	49'	1.97"
L335	~ 335	IP67	~ 2.93	~ 120	>90	24V	65'	1.97"
L465	~ 465	IP67	~ 4.88	~ 100	>90	24V	32'	1.16"
RGBW	RGBW	IP67	~ 4.27	~ 50	N/A	24V	16'	2.19"

Compatible Optical Beam

Product	Output (lm/ft)	LEDs/ft	Consump. (watt/ft)	Efficacy (lm/watt)	CRI	Voltage	Max Length	Min Cut
---------	----------------	---------	--------------------	--------------------	-----	---------	------------	---------

Symmetrical

10° x 10°	~ 520-575	14	6.0	~ 90-95	>90	24V	32.8'	6.0"
20° x 20°	~ 630-700	14	6.1	~ 105-115	>90	24V	16.4'	6.6"
30° x 30°	~ 585-660	14	6.0	~ 100-115	>90	24V	32.8'	6.0"
60° x 60°	~ 600-645	14	6.0	~ 100-110	>90	24V	16.4'	6.0"

Elliptical

10° x 45°	~ 530-630	14	6.0	~ 90-105	>90	24V	16.4'	6.0"
25° x 45°	~ 475-525	14	6.0	~ 80-90	>90	24V	16.4'	6.0"

Asymmetrical





45° x 80°	~ 540-590	14	6.0	~ 90-100	>90	24V	32.8'	6.0"
110° x 70°	~ 500	9	5.9	~ 90	>90	24V	16.4'	6.6"

Ordering Code: BA02 + Tapelight + Accessories

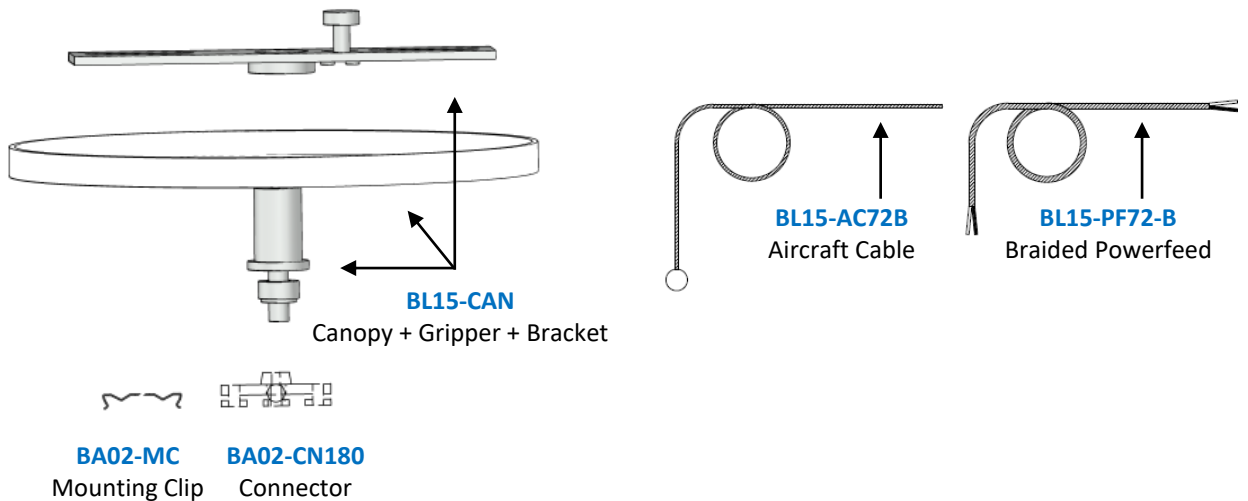
BA02	- SL	- F	- L200	IP00	CT35	- EC	- MC	- 4'
------	------	-----	--------	------	------	------	------	------

Extrusion	Lens	Tapelight				End Cap	Mounting	Length		
BA02	CL – Clear Lens	F – Florence	L090	~90 lm/ft	IP00	CT27	2700K	EC – End Cap	MC – Mounting Clip	Enter run length
			L200	~200 lm/ft	IP66	CT30	3000K			
			L360	~360 lm/ft		CT35	3500K			
			L500	~500 lm/ft		CT40	4000K			
			L780	~780 lm/ft						
			L990	~990 lm/ft						
		RGB-3535	RGB	IP20	N/A					
		RGB-3838	RGB	IP54	N/A					
		RGB-5050	RGB	IP20	N/A					
				IP65	N/A					
		RGBW	RGBW	IP00	N/A					
				IP54	N/A					
	TW1865	TW	IP00	1800-6500K						
	TW2740	TW	IP65	2700-4000K						
	DTW	Dim-To-Warm	IP00	CT2130						
			IP54	2100-3000K						
	A – Athens	L240	~240 lm/ft	IP00	CT27	2700K				
		L460	~460 lm/ft	IP66	CT30	3000K				
		L680	~680 lm/ft		CT35	3500K				
					CT40	4000K				
	M – Madrid	L300	~300 lm/ft	IP65	CT27	2700K				
		L500	~500 lm/ft		CT30	3000K				
					CT35	3500K				
					CT40	4000K				
CH – Coblece H	L195	~195 lm/ft	IP20	CT27	2700K					
	L220	~220 lm/ft	IP67	CT30	3000K					
	L235	~235 lm/ft	IP67	CT35	3500K					
				CT40	4000K					
CS – Coblece S	L280	~280 lm/ft	IP20	CT27	2700K					
	L335	~335 lm/ft	IP67	CT30	3000K					
	L465	~465 lm/ft	IP67	CT35	3500K					
				CT40	4000K					
		RGBW	RGBW	IP67	N/A					
FB – FlexBeam	D10	10° x 10°	IP67	CT27	2700K					
	D20	20° x 20°		CT30	3000K					
	D30	30° x 30°		CT35	3500K					
	D60	60° x 60°		CT40	4000K					
	D1045	10° x 45°								
	D2545	25° x 45°								
	D4580	45° x 80°								
D11070	110° x 70°									

Power Supply Ordering Codes

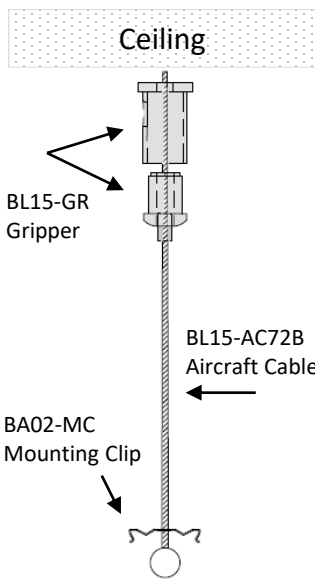
DTR		+	60		+	IP67		DTR60IP67 - Dimming, 60 Watt, IP67															
MODEL		+	POWER		+	IP RATING		INPUT	OUTPUT	DIMENSION													
NTR Non-Dimming [UL Recognized]		+	50	50 Watt	+	IP00	Indoor	88-264V	24V														
			75	75 Watt																			
			100	100 Watt																			
			150	150 Watt																			
			200	200 Watt																			
			320	320 Watt																			
			750	750 Watt																			
			960	960 Watt																			
			12	12 Watt																			
			16	16 Watt																			
25	25 Watt																						
35	35 Watt																						
DTR Dimming min 10% (0-10V) [UL Recognized]		+	20	20 Watt	+	IP67	Outdoor	90-264V	24V														
			35	35 Watt																			
			60	60 Watt																			
			100	100 Watt																			
			150	150 Watt																			
			240	240 Watt																			
			320	320 Watt																			
			16	16 Watt																			
			25	25 Watt																			
			40	40 Watt																			
60	60 Watt																						
90	90 Watt																						
96	96 Watt																						
120	120 Watt																						
150	150 Watt																						
185	185 Watt																						
240	240 Watt																						
320	320 Watt																						
480	480 Watt																						
600	600 Watt																						
FPD Dimming min 1% (Forward Phase) [UL Recognized]		+	20	20 Watt	+	IP67	Outdoor	120V	24V														
			40	40 Watt																			
			60	60 Watt																			
			75	75 Watt																			
			96	96 Watt																			
			FPD Dimming min 1% (Forward Phase) with junction box [ETL Listed]										+	20	20 Watt	+	IP14	Outdoor	120V	24V			
														40	40 Watt								
														60	60 Watt								
														96	96 Watt								
														150	150 Watt								
200	200 Watt																						
300	300 Watt																						

Suspension Kit



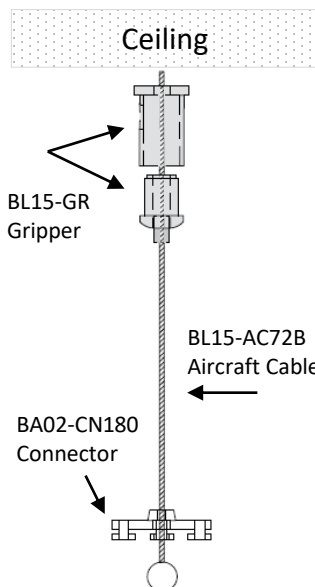
BA02-SK-A1

Suspension Kit A1
BL15-GR + BA02-MC +
BL15-AC72B



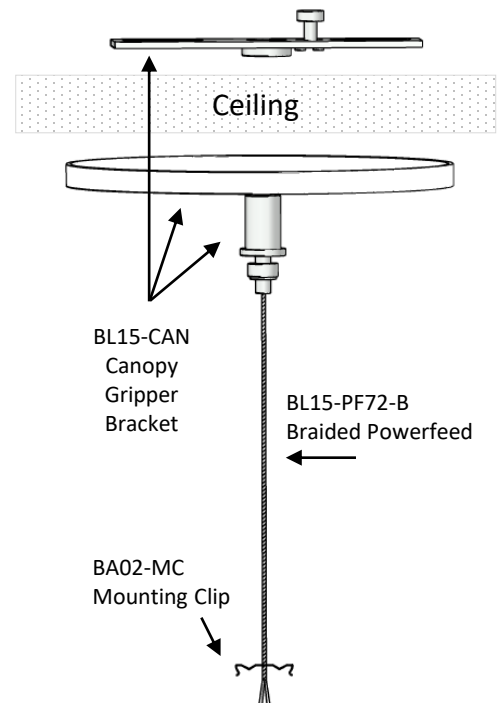
BA02-SK-A2

Suspension Kit A2
BL15-GR + BA02-CN180 +
BL15-AC72B



BA02-SK-B

Suspension Kit B
BA02-MC + BL15-PF72-B +
BL15-CAN



CUSTOMIZATION	TL48	DC99	LN99	EX99	M99	C99	F48	F48C	IP68
Cutting tapelight to specified length + solder 4ft leadwire	✓						✓	✓	
Daisy Chain: Cut tapelight to specified length + 2", 6", or 12" jumper cable daisy chain between 2 run lengths		✓							
Installing tapelight onto extrusion							✓	✓	
Cutting diffuser to specified length			✓				✓	✓	
Cutting extrusion to specified length				✓			✓	✓	
Miter corner extrusion and diffuser					✓				
Filling extrusion with polyurethane (2 ft submersible)									✓
Customize extrusion to specified color						✓		✓	
Final function and quality inspection	✓	✓	✓	✓	✓	✓	✓	✓	✓