

Wall mounted RGB/W DMX512 controller



Feature

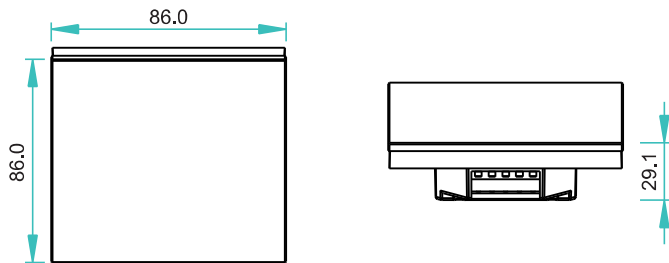
- Touch sensitive
- Glass interface(White & Black)
- Control 1 zone,save up to 4 color



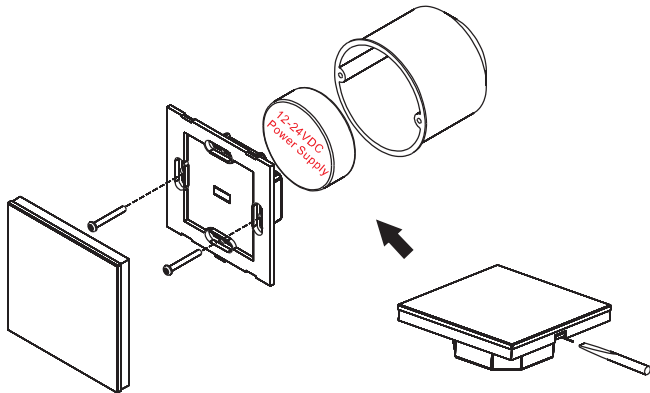
Parameter

Part No.	Operation Voltage	OUTPUT	DIMENSIONS ø/h (mm)
SR-2812B	12-24VDC	DMX512 Signal	86x86x29.1

Product Size

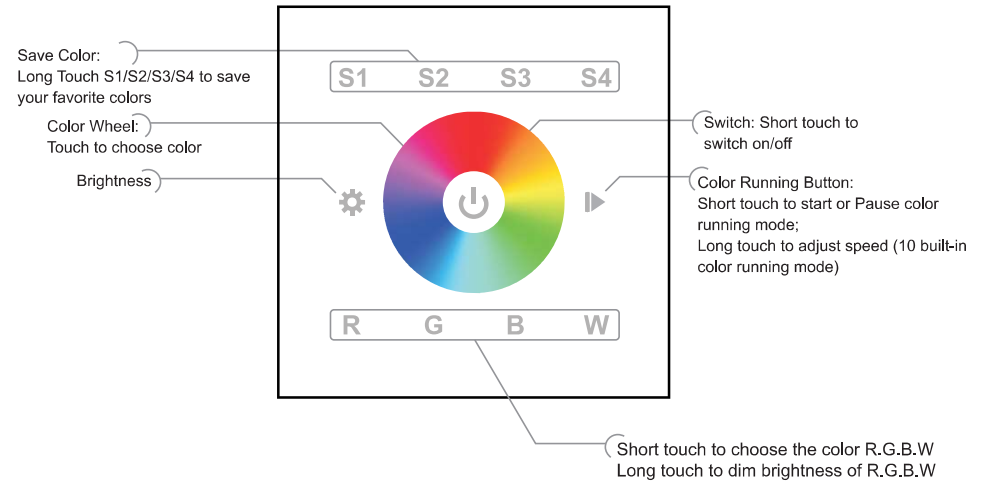


Installation

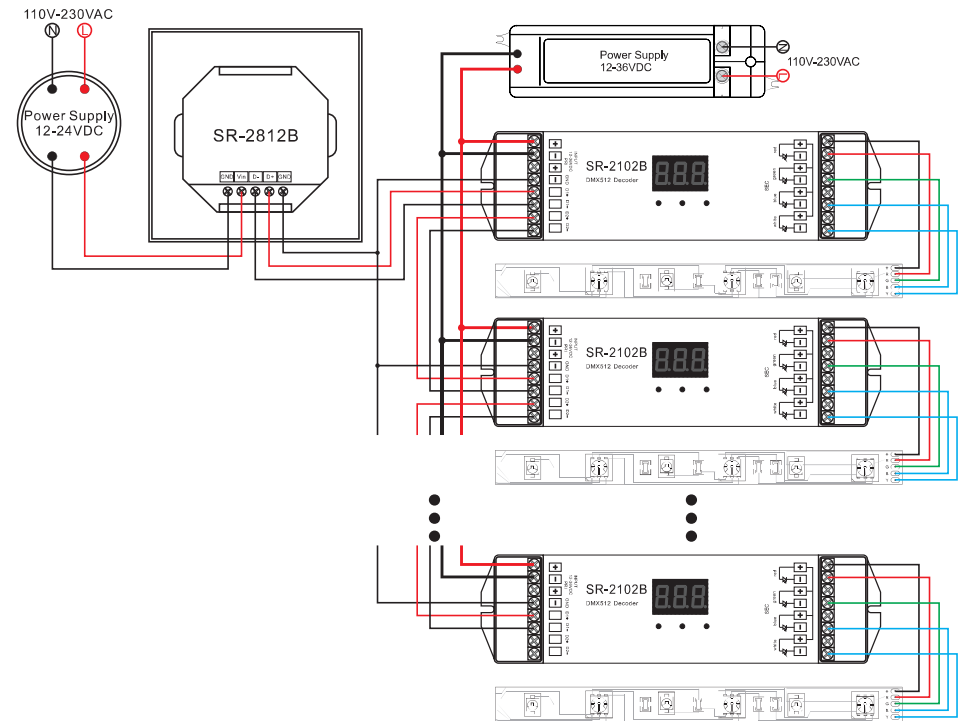


Button introduction

Beulux: CDMX4C



Wiring diagram



Operation

How to save color or mode

S1 S2 S3 S4 buttons can save the color from mode or save color when you touch color wheel or touch **R G B W** buttons.

Press button ►, mode runs, see favorite mode---> press **S1** or **S2** or **S3** or **S4** button over 3 seconds until connected light flashes. Then it saved successfully.

Touch color wheel or touch color temperature button or touch any **R G B W** buttons----> see favorite color----> press button over 3 seconds until connected light flashes. Then it saved successfully

How to recall color or mode?

Touch **S1/S2/S3/S4** directly. .

Safety & Warnings

- 1) The product shall be installed and serviced by a qualified person.
- 2) IP20. Please avoid the sun and rain. When installed outdoors, please ensure it is mounted in a water proof enclosure.
- 3) Always be sure to mount this unit in an area with proper ventilation to avoid overheating.
- 4) Please check if the output voltage of any LED power supplies used comply with the working voltage of the product.
- 5) Never connect any cables while power is on and always assure correct connections to avoid short circuits before switching on.
- 6) Please ensure that the cable is secured tightly in the connector
- 7) For update information please consult your supplier.

Warranty Agreement

1) We provide lifelong technical assistance with this product:

- 5-year warranty. We print date on every products, for example : 1125 means year 2011, week 25. The warranty is for free repair or replacement and covers manufacturing faults only.
- For faults beyond the 3-year warranty we reserve the right to charge for time and parts.

2) Limited Warranty

- Any defects caused by wrong operation.
- Any damages caused by unauthorized removal, maintenance, modifying, incorrect connection and replacement of chips.
- Any damages due to transportation, vibration etc. after purchase.
- Any damages caused by earthquake, fire, lightning, pollution and abnormal voltage.
- Any damages caused by negligence, inappropriate storing at high temperatures and humidity or near harmful chemicals.
- Product has been updated

3) Repair or replacement as provided under this warranty is the exclusive remedy to the customer.