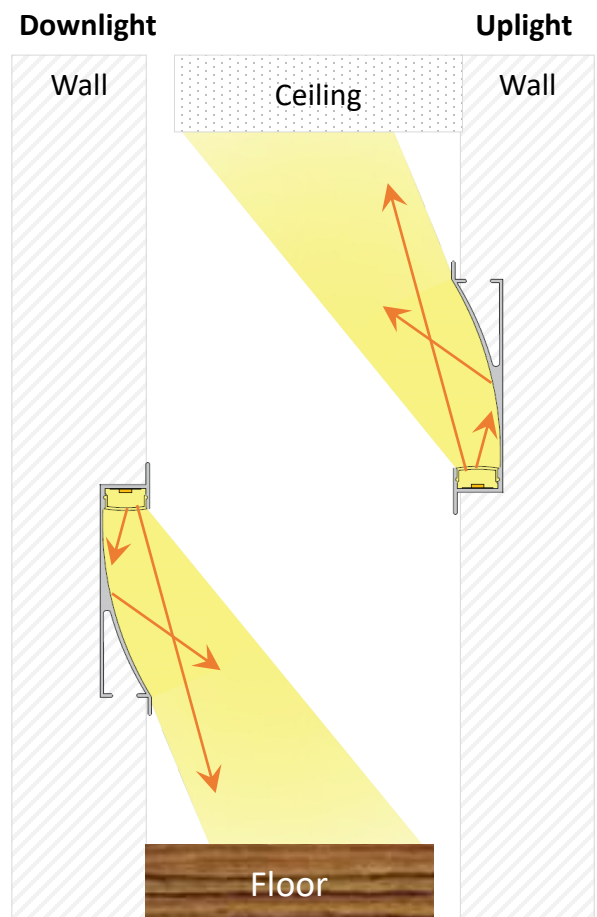
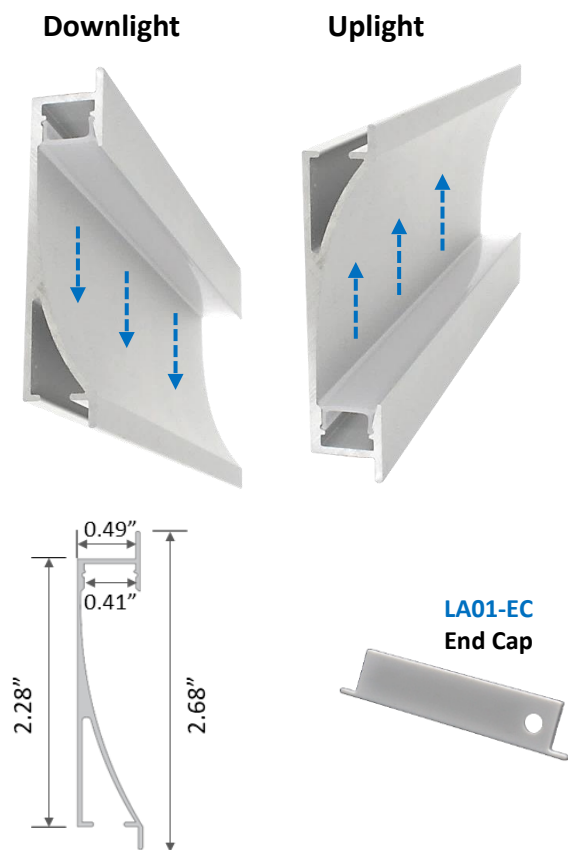


The LA01, a recessed pocket extrusion made from premium anodized aluminum, has a slim profile under 1/2" for easy fitting under standard drywall without the hassle of modifying studs. Designed for hidden illumination, its smooth angled architecture casts a stunning glow on floors, paths, stairs, and serves as an elegant uplight alternative, enhancing spaces with its discreet yet powerful lighting capability.

LA01 + LA01-SL Satined Lens



Product Detail

Material:	Extruded Aluminum
Color:	Anodized Silver
Dimension (in):	L 78.74" x W 0.49" x H 2.68"
Customization:	Cut to specified length

Applications

- Recessed with Trim
- Hallways
- Cove
- Step Light
- Staircases
- Uplight (Cove Replacement)

Compatible LED Tapelight

Product	Output (lm/ft)	LEDs/ft	Consump. (watt/ft)	Efficacy (lm/watt)	CRI	Voltage	Max Length	Min Cut
---------	----------------	---------	--------------------	--------------------	-----	---------	------------	---------

Florence (Specification Grade)

L90	~ 90	36	~ 0.73	~ 123	>90	24V	75'	1.97"
L200	~ 200	36	~ 1.46	~ 140	>90	24V	49'	1.97"
L360	~ 360	36	~ 3.12	~ 117	>90	24V	42'	1.97"
L500	~ 500	36	~ 4.39	~ 135	>90	24V	36'	1.97"
L780	~ 780	36	~ 6.72	~ 108	>90	24V	24'	1.97"
L990	~ 990	36	~ 9.36	~ 106	>90	24V	16'	1.97"

Athens (Economy)

L240	~ 240	36	~ 2.29	~ 115	>90	24V	39'	1.97"
L460	~ 460	36	~ 4.27	~ 115	>90	24V	26'	1.97"
L680	~ 680	36	~ 6.40	~ 105	>90	24V	20'	1.97"

Compatible SOB Tapelight

Product	Output (lm/ft)	IP Rating	Consump. (watt/ft)	Efficacy (lm/watt)	CRI	Voltage	Max Length	Min Cut
---------	----------------	-----------	--------------------	--------------------	-----	---------	------------	---------

Coblence H (High CRI)

L195	~ 195	IP20	~ 2.93	~ 80	>97	24V	49'	1.97"
------	-------	------	--------	------	-----	-----	-----	-------








Coblence S (Specification Grade)

L280	~ 280	IP20	~ 2.93	~ 100	>90	24V	49'	1.97"
------	-------	------	--------	-------	-----	-----	-----	-------

Ordering Code: LA01 + Tapelight + Accessories + Lengths

LA01	- SL	- F	- L200	IP00	CT35	- EC	- 4'	
Extrusion	Lens	Tapelight			End Cap	Length		
LA01	SL – Satined Lens	F – Florence	L90	~90 lm/ft	IP00	CT27	2700K	EC – End Cap Enter run length
			L200	~200 lm/ft	IP66	CT30	3000K	
			L360	~360 lm/ft		CT35	3500K	
			L500	~500 lm/ft		CT40	4000K	
			L780	~780 lm/ft				
			L990	~990 lm/ft				
		A – Athens	L240	~240 lm/ft	IP00	CT27	2700K	
			L460	~460 lm/ft	IP66	CT30	3000K	
			L680	~680 lm/ft		CT35	3500K	
						CT40	4000K	
		CH – Coblence H	L195	~195 lm/ft	IP20	CT27	2700K	
						CT30	3000K	
						CT35	3500K	
						CT40	4000K	
		CS – Coblence S	L280	~280 lm/ft	IP20	CT27	2700K	
						CT30	3000K	
				CT35	3500K			
				CT40	4000K			

Power Supply Ordering Codes

DTR		+	60		+	IP67		DTR60IP67 - Dimming, 60 Watt, IP67								
MODEL		+	POWER		+	IP RATING		INPUT	OUTPUT	DIMENSION						
NTR Non-Dimming [UL Recognized]			50	50 Watt		IP00 Indoor	88-264V	24V	3.90 x 3.82 x 1.42							
		75	75 Watt	5.08 x 3.82 x 1.50												
		100	100 Watt	6.26 x 3.82 x 1.50												
		150	150 Watt	7.84 x 3.85 x 1.50												
		200	200 Watt	8.46 x 4.53 x 1.18												
		320	320 Watt	8.46 x 4.53 x 1.18												
		750	750 Watt	9.84 x 5.00 x 1.61												
		960	960 Watt	11.60 x 5.00 x 1.61												
	DTR Dimming min 10% (0-10V) [UL Recognized]			12					12 Watt		IP42 Indoor	90-264V	24V	3.03 x 1.57 x 1.14		
			16	16 Watt					3.03 x 1.57 x 1.14							
		25	25 Watt	3.31 x 2.24 x 1.16												
		35	35 Watt	3.31 x 2.24 x 1.16												
		20	20 Watt		IP67 Outdoor	90-264V	24V	4.65 x 1.38 x 1.02								
		35	35 Watt					5.83 x 1.57 x 1.18								
		60	60 Watt					6.40 x 1.67 x 1.26								
		100	100 Watt					7.48 x 2.05 x 1.46								
		150	150 Watt					7.52 x 2.48 x 1.48								
		240	240 Watt					9.61 x 2.68 x 1.53								
	320	320 Watt	9.92 x 3.54 x 1.72													
FPD Dimming min 1% (Forward Phase) [UL Recognized]			16	16 Watt		IP30 Indoor	90-305V	24V	5.83 x 1.57 x 1.26							
		25	25 Watt						IP67 Outdoor	90-305V	24V	5.83 x 1.57 x 1.26				
		40	40 Watt									6.40 x 1.70 x 1.26				
		60	60 Watt									6.40 x 1.70 x 1.26				
		90	90 Watt									6.34 x 2.40 x 1.42				
		96	96 Watt									8.66 x 2.68 x 1.53				
		120	120 Watt									8.66 x 2.68 x 1.53				
		150	150 Watt									8.97 x 2.68 x 1.58				
		185	185 Watt									8.97 x 2.68 x 1.58				
		240	240 Watt									9.88 x 2.68 x 1.58				
	320	320 Watt	9.92 x 3.54 x 1.72													
	480	480 Watt	10.32 x 4.92 x 1.72													
	600	600 Watt	11.02 X 5.67 X 1.91													
FPD Dimming min 1% (Forward Phase) with junction box [ETL Listed]			20	20 Watt		IP67 Outdoor	120V	24V	4.92 x 2.20 x 0.79							
		40	40 Watt	4.92 x 2.20 x 0.79												
		60	60 Watt	4.92 x 2.20 x 0.79												
		75	75 Watt	4.92 x 2.20 x 0.79												
		96	96 Watt	4.92 x 2.20 x 0.79												
		20	20 Watt						IP14 Outdoor	120V	24V	5.60 x 2.00 x 2.14				
	40	40 Watt	5.60 x 2.00 x 2.14													
	60	60 Watt	6.62 x 2.58 x 2.33													
	96	96 Watt	6.62 x 2.58 x 2.33													
	150	150 Watt	9.80 x 3.00 x 2.74													
	200	200 Watt	9.80 x 3.00 x 2.74													
	300	300 Watt	10.07 x 4.20 x 3.50													

CUSTOMIZATION	TL48	DC99	LN99	EX99	M99	C99	F48	F48C	IP68
Cutting tapelight to specified length + solder 4ft leadwire	✓						✓	✓	
Daisy Chain: Cut tapelight to specified length + 2", 6", or 12" jumper cable daisy chain between 2 run lengths		✓							
Installing tapelight onto extrusion							✓	✓	
Cutting diffuser to specified length			✓				✓	✓	
Cutting extrusion to specified length				✓			✓	✓	
Miter corner extrusion and diffuser					✓				
Filling extrusion with polyurethane (2 ft submersible)									✓
Customize extrusion to specified color						✓		✓	
Final function and quality inspection	✓	✓	✓	✓	✓	✓	✓	✓	✓