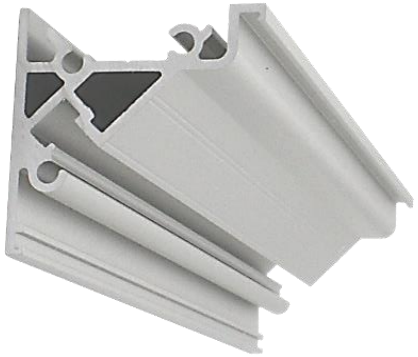
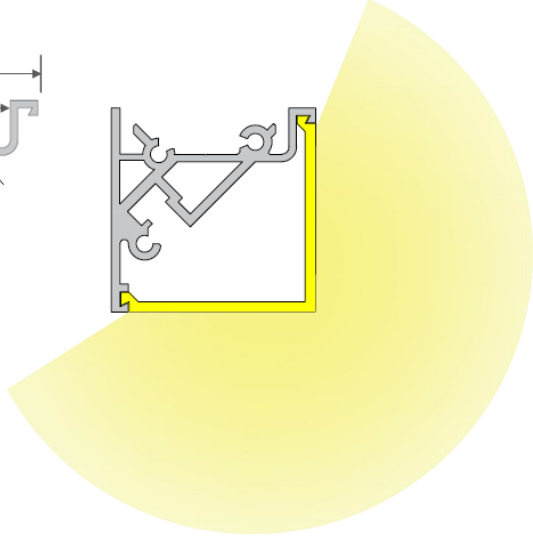
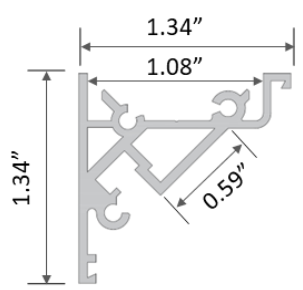
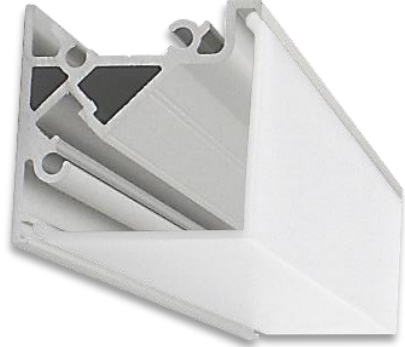


The WT02 is a highly versatile, large 90° aluminum extrusion crafted from premium anodized aluminum, known for its wide range of applications and sleek, uniform appearance. Its popularity stems from its adaptability and aesthetic appeal. Equipped with low-profile mounting hardware, the WT02 offers subtle yet effective accent lighting, perfect for enhancing the ambiance of any desired space.

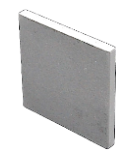
**WT02**



**WT02 + WT02-SL  
Satin Lens**



**WT02-EC  
End Cap**



**BL15-MCL  
Mounting Clip**



## Product Detail

Material:	Extruded Aluminum
Color:	Anodized Silver
Size in inch:	L 78.74" x W 1.34" x H 1.34"
Customization:	Cut to specified length

## Applications

- Surface Mount
- Hallways
- Perimeter
- Cove
- 90° Corner
- Vanity
- Shelf

## Compatible LED Tapelight

Product	Output (lm/ft)	LEDs/ft	Consump. (watt/ft)	Efficacy (lm/watt)	CRI	Voltage	Max Length	Min Cut
---------	----------------	---------	--------------------	--------------------	-----	---------	------------	---------

### Florence (Specification Grade)

L90	~ 90	36	~ 0.73	~ 123	>90	24V	75'	1.97"
L200	~ 200	36	~ 1.46	~ 140	>90	24V	49'	1.97"
L360	~ 360	36	~ 3.12	~ 117	>90	24V	42'	1.97"
L500	~ 500	36	~ 4.39	~ 135	>90	24V	36'	1.97"
L780	~ 780	36	~ 6.72	~ 108	>90	24V	24'	1.97"
L990	~ 990	36	~ 9.36	~ 106	>90	24V	16'	1.97"
RGB-3535	~ 170	36	~ 4.4	~ 39	N/A	24V	23'	1.97"
RGB-3838	~ 280	73	~ 5.0	~ 56	N/A	24V	16'	1.00"
RGB-5050	~ 230	29	~ 7.0	~ 23	N/A	24V	13'	2.46"
RGBW	~ 330	29	~ 7.3	~ 47	N/A	24V	13'	2.46"
TW1865	~ 60-850	73	~ 5.8	~ 10-146	>90	24V	16'	1.97"
TW2740	~ 210-430	73	~ 5.8	~ 36-74	>90	24V	16'	1.97"
Dim-To-Warm	~ 168	73	~ 4.4	~ 38	>90	24V	16'	1.97"

### Athens (Economy)

L240	~ 240	36	~ 2.29	~ 115	>90	24V	39'	1.97"
L460	~ 460	36	~ 4.27	~ 115	>90	24V	26'	1.97"
L680	~ 680	36	~ 6.40	~ 105	>90	24V	20'	1.97"

### Madrid (Line Voltage)

L300	~ 300	18	~ 4.0	~ 75	>90	120V	164'	4.0"
L500	~ 500	28	~ 6.0	~ 85	>90	120V	100'	3.0"

## Compatible SOB Tapelight

Product	Output (lm/ft)	IP Rating	Consump. (watt/ft)	Efficacy (lm/watt)	CRI	Voltage	Max Length	Min Cut
---------	----------------	-----------	--------------------	--------------------	-----	---------	------------	---------

### Coblence H (High CRI)

L220	~ 220	IP67	~ 2.93	~ 80	>97	24V	65'	1.97"
L325	~ 325	IP67	~ 4.88	~ 70	>97	24V	32'	1.16"

### Coblence S (Specification Grade)

L280	~ 280	IP20	~ 2.93	~ 100	>90	24V	49'	1.97"
L335	~ 335	IP67	~ 2.93	~ 120	>90	24V	65'	1.97"
L465	~ 465	IP67	~ 4.88	~ 100	>90	24V	32'	1.16"

## Ordering Code: WT02 + Tapelight + Accessories + Lengths

WT02	- SL	- F	- L200	IP00	CT35	- EC	- MC	- 4'		
Extrusion	Lens	Tapelight				End Cap	Mounting	Length		
WT02	SL – Satined Lens	F – Florence	L090	~90 lm/ft	IP00	CT27	2700K	EC – End Cap	MC – Mounting Clip	Enter run length
			L200	~200 lm/ft	IP66	CT30	3000K			
			L360	~360 lm/ft		CT35	3500K			
			L500	~500 lm/ft		CT40	4000K			
			L780	~780 lm/ft						
			L990	~990 lm/ft						
		RGB-3535	RGB	IP20	N/A					
		RGB-3838	RGB	IP54	N/A					
		RGB-5050	RGB	IP20	N/A					
				IP65	N/A					
		RGBW	RGBW	IP00	N/A					
				IP54	N/A					
		TW1865	TW	IP00	1800-6500K					
		TW2740	TW	IP65	2700-4000K					
		DTW	Dim-To-Warm	IP00	CT2130	2100-3000K				
				IP54						
		A – Athens	L240	~240 lm/ft	IP00	CT27	2700K			
			L460	~460 lm/ft	IP66	CT30	3000K			
			L680	~680 lm/ft		CT35	3500K			
						CT40	4000K			
		M – Madrid	L300	~300 lm/ft	IP65	CT27	2700K			
L500	~500 lm/ft		CT30	3000K						
				CT35	3500K					
				CT40	4000K					
CH – Coblence H	L220	~220 lm/ft	IP67	CT27	2700K					
	L235	~235 lm/ft		CT30	3000K					
				CT35	3500K					
				CT40	4000K					
CS – Coblence S	L280	~280 lm/ft	IP20	CT27	2700K					
	L335	~335 lm/ft		IP67	CT30	3000K				
	L465	~465 lm/ft		IP67	CT35	3500K				
				CT40	4000K					

## Power Supply Ordering Codes

DTR		+	60		+	IP67		DTR60IP67 - Dimming, 60 Watt, IP67									
MODEL		+	POWER		+	IP RATING		INPUT	OUTPUT	DIMENSION							
<b>NTR</b> Non-Dimming [UL Recognized]		+	<b>50</b>	50 Watt	+	<b>IP00</b>	Indoor	88-264V	24V	3.90 x 3.82 x 1.42							
			<b>75</b>	75 Watt						5.08 x 3.82 x 1.50							
			<b>100</b>	100 Watt						6.26 x 3.82 x 1.50							
			<b>150</b>	150 Watt						7.84 x 3.85 x 1.50							
			<b>200</b>	200 Watt						8.46 x 4.53 x 1.18							
			<b>320</b>	320 Watt						8.46 x 4.53 x 1.18							
			<b>750</b>	750 Watt						9.84 x 5.00 x 1.61							
			<b>960</b>	960 Watt						11.60 x 5.00 x 1.61							
			<b>12</b>	12 Watt						+	<b>IP42</b>	Indoor	90-264V	24V	3.03 x 1.57 x 1.14		
			<b>16</b>	16 Watt											3.03 x 1.57 x 1.14		
<b>25</b>	25 Watt	3.31 x 2.24 x 1.16															
<b>35</b>	35 Watt	3.31 x 2.24 x 1.16															
		+	<b>20</b>	20 Watt	+	<b>IP67</b>	Outdoor	90-264V	24V	4.65 x 1.38 x 1.02							
			<b>35</b>	35 Watt						5.83 x 1.57 x 1.18							
			<b>60</b>	60 Watt						6.40 x 1.67 x 1.26							
			<b>100</b>	100 Watt						7.48 x 2.05 x 1.46							
			<b>150</b>	150 Watt						7.52 x 2.48 x 1.48							
			<b>240</b>	240 Watt						9.61 x 2.68 x 1.53							
			<b>320</b>	320 Watt						9.92 x 3.54 x 1.72							
			<b>16</b>	16 Watt						+	<b>IP30</b>	Indoor	90-305V	24V	5.83 x 1.57 x 1.26		
[UL Recognized]	<b>25</b>	25 Watt	<b>IP67</b>	Outdoor	90-305V	24V	5.83 x 1.57 x 1.26										
	<b>40</b>	40 Watt					6.40 x 1.70 x 1.26										
	<b>60</b>	60 Watt					6.40 x 1.70 x 1.26										
	<b>90</b>	90 Watt					6.34 x 2.40 x 1.42										
	<b>96</b>	96 Watt					8.66 x 2.68 x 1.53										
	<b>120</b>	120 Watt					8.66 x 2.68 x 1.53										
	<b>150</b>	150 Watt					8.97 x 2.68 x 1.58										
	<b>185</b>	185 Watt					8.97 x 2.68 x 1.58										
	<b>240</b>	240 Watt					9.88 x 2.68 x 1.58										
<b>320</b>	320 Watt	9.92 x 3.54 x 1.72															
<b>480</b>	480 Watt	10.32 x 4.92 x 1.72															
<b>600</b>	600 Watt	11.02 X 5.67 X 1.91															
<b>FPD</b> Dimming min 1% (Forward Phase) [UL Recognized]		+	<b>20</b>	20 Watt	+	<b>IP67</b>	Outdoor	120V	24V	4.92 x 2.20 x 0.79							
			<b>40</b>	40 Watt						4.92 x 2.20 x 0.79							
			<b>60</b>	60 Watt						4.92 x 2.20 x 0.79							
			<b>75</b>	75 Watt						4.92 x 2.20 x 0.79							
			<b>96</b>	96 Watt						4.92 x 2.20 x 0.79							
<b>FPD</b> Dimming min 1% (Forward Phase) with junction box [ETL Listed]		+	<b>20</b>	20 Watt	+	<b>IP14</b>	Outdoor	120V	24V	5.60 x 2.00 x 2.14							
			<b>40</b>	40 Watt						5.60 x 2.00 x 2.14							
			<b>60</b>	60 Watt						6.62 x 2.58 x 2.33							
			<b>96</b>	96 Watt						6.62 x 2.58 x 2.33							
			<b>150</b>	150 Watt						9.80 x 3.00 x 2.74							
			<b>200</b>	200 Watt						9.80 x 3.00 x 2.74							
<b>300</b>	300 Watt	10.07 x 4.20 x 3.50															

CUSTOMIZATION	TL48	DC99	LN99	EX99	M99	C99	F48	F48C	IP68
Cutting tapelight to specified length + solder 4ft leadwire	✓						✓	✓	
Daisy Chain: Cut tapelight to specified length + 2", 6", or 12" jumper cable daisy chain between 2 run lengths		✓							
Installing tapelight onto extrusion							✓	✓	
Cutting diffuser to specified length			✓				✓	✓	
Cutting extrusion to specified length				✓			✓	✓	
Miter corner extrusion and diffuser					✓				
Filling extrusion with polyurethane (2 ft submersible)									✓
Customize extrusion to specified color						✓		✓	
Final function and quality inspection	✓	✓	✓	✓	✓	✓	✓	✓	✓