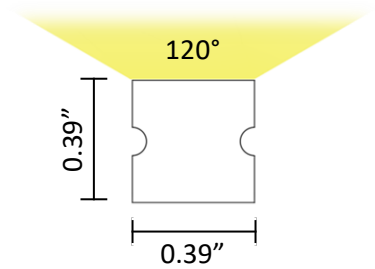


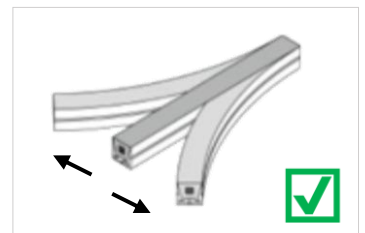
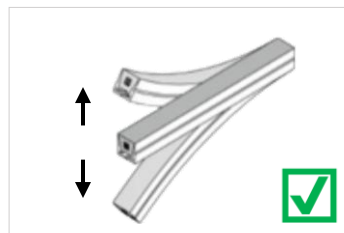
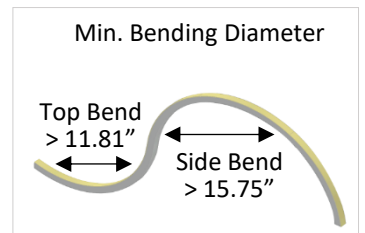
LWD10F – London Wave Top View



London Wave Dual bending is an improved Neon Flex replacement using latest LED technology and creates pixilation free light lines, straight or curved. Made from UV stabilized silicone. Mounts to the surface with mounting clips or aluminum extrusion.



Bending Instruction



LWD10F – London Wave Top View



Technical Information:

Product	CCT	Output (lm/ft)	Consump. (watt/ft)	Efficacy (lm/watt)	CRI	Voltage	Max run length	Cut increment
150	2700K	~ 140	~ 3.0 W	~ 45	>90	24V	16.4'	1.97"
	3000K	~ 150	~ 3.0 W	~ 50	>90	24V	16.4'	1.97"
	3500K	~ 150	~ 3.0 W	~ 50	>90	24V	16.4'	1.97"
	4000K	~ 155	~ 3.0 W	~ 50	>90	24V	16.4'	1.97"
	5000K	~ 155	~ 3.0 W	~ 50	>90	24V	16.4'	1.97"
	6000K	~ 150	~ 3.0 W	~ 50	>90	24V	16.4'	1.97"
SR	Red	~ 50	~ 3.0 W	~ 17	>90	24V	16.4'	1.97"
SG	Green	~ 135	~ 3.0 W	~ 45	>90	24V	16.4'	1.97"
SB	Blue	~ 30	~ 3.0 W	~ 10	>90	24V	16.4'	1.97"
SY	Yellow	~ 35	~ 3.0 W	~ 10	>90	24V	16.4'	1.97"
SP	Pink	~ 115	~ 3.0 W	~ 37	>90	24V	16.4'	1.97"
SO	Orange	~ 145	~ 3.0 W	~ 15	>90	24V	16.4'	1.97"

Ordering Code

Example: LWD10F-15030-AL-DUD-16'-F

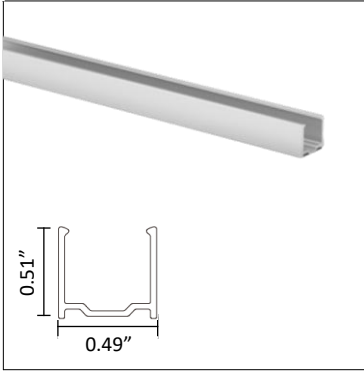
London Wave Dual View, ~150 lm/ft, 3000K, Linear Extrusion, Dimming, 16 ft, Front cable entry

LWD10F	150	30	AL	DUD	16'	F
---------------	------------	-----------	-----------	------------	------------	----------

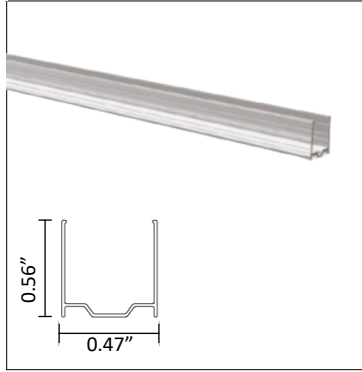
Model	Output	CCT	Accessories	Driver	Length	Cable Entry
LWD10F London Wave Dual View	150 ~ 150 lm/ft	27 2700K 30 3000K 35 3500K 40 4000K 50 5000K 60 6000K	AL Aluminum Extrusion PC PC Extrusion	NTR Non-Dimming DUD Dimming 0.1%-100% Triac/0-10V/ 10V PWM/ Potentiometer	Enter run length	F Front S Side B Bottom
SR Static Red SG Static Green SB Static Blue SY Static Yellow SP Static Pink SO Static Orange		N/A	FLX Flexible Extrusion MC1 Mounting Clip MC2 Mounting Clip	FPD Dimming 1%-100%		

Compatible Accessories:

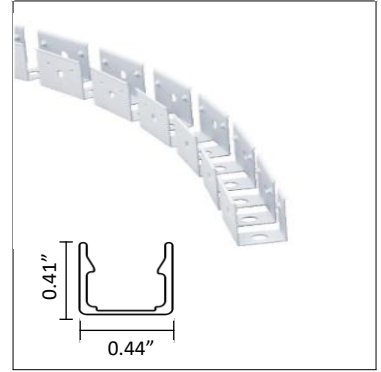
LWD10F-AL
Aluminum Extrusion



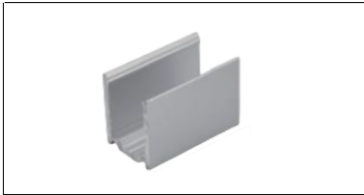
LWD10F-PC
PC Extrusion



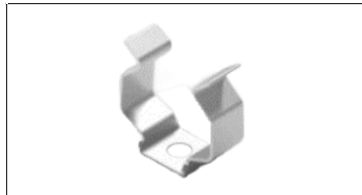
LWD10F-FLX
Mounting Clip



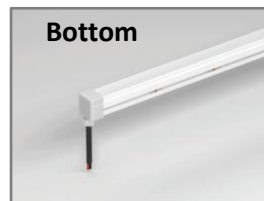
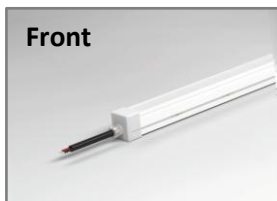
LWD10F-MC
Mounting Clip








LWD10F-MCS
Stainless Steel Mounting Clip



Cable Entry:



Power Supply Ordering Codes

DUD		+	60		+	IP65		DUD60IP65 - Dimming, 60 Watt, IP65					
MODEL		+	POWER		+	IP RATING		INPUT	OUTPUT	DIMENSION			
NTR Non-Dimming			50	50 Watt		IP00 Indoor	88-264V	24V	3.90 x 3.82 x 1.42				
		75	75 Watt	5.08 x 3.82 x 1.50									
		100	100 Watt	6.26 x 3.82 x 1.50									
		150	150 Watt	7.84 x 3.85 x 1.50									
		200	200 Watt	8.46 x 4.53 x 1.18									
		320	320 Watt	8.46 x 4.53 x 1.18									
		750	750 Watt	9.84 x 5.00 x 1.61									
		960	960 Watt	11.60 x 5.00 x 1.61									
		12	12 Watt						IP42 Indoor	90-264V	24V	3.03 x 1.57 x 1.14	
		16	16 Watt									3.03 x 1.57 x 1.14	
		25	25 Watt									3.31 x 2.24 x 1.16	
		35	35 Watt									3.31 x 2.24 x 1.16	
	20	20 Watt		IP67 Outdoor	90-264V	24V	4.65 x 1.38 x 1.02						
	35	35 Watt					5.83 x 1.57 x 1.18						
	60	60 Watt					6.40 x 1.67 x 1.26						
	100	100 Watt					7.48 x 2.05 x 1.46						
	150	150 Watt					7.52 x 2.48 x 1.48						
	240	240 Watt					9.61 x 2.68 x 1.53						
	320	320 Watt	9.92 x 3.54 x 1.72										
DUD Dimming 0.1%-100%	Universal: Triac/0-10V/ 10V PWM/ Potentiometer	18	18 Watt		IP65 Outdoor	110-277V	24V	5.04 x 2.09 x 0.83					
		24	24 Watt					5.04 x 2.09 x 0.83					
		36	36 Watt					5.98 x 2.32 x 0.83					
		48	48 Watt					5.98 x 2.32 x 0.83					
		60	60 Watt					5.98 x 2.32 x 0.83					
		80	80 Watt					7.17 x 2.32 x 0.83					
		96	96 Watt					7.16 x 2.48 x 1.49					
		120	120 Watt					7.16 x 2.48 x 1.49					
		150	150 Watt					9.92 x 2.48 x 1.49					
		200	200 Watt					9.92 x 2.48 x 1.49					
		300	300 Watt					12.1 x 2.48 x 1.49					
		FPD Dimming min 1% (Forward Phase)						40	40 Watt		IP67 Outdoor	120V	24V
60	60 Watt			4.92 x 2.20 x 0.79									
75	75 Watt			4.92 x 2.20 x 0.79									
96	96 Watt			4.92 x 2.20 x 0.79									
FPD Dimming min 1% (Forward Phase) with junction box		20	20 Watt		IP14 Indoor	120V	24V	5.60 x 2.00 x 2.14					
		40	40 Watt					5.60 x 2.00 x 2.14					
		60	60 Watt					6.62 x 2.58 x 2.33					
		96	96 Watt					6.62 x 2.58 x 2.33					
		150	150 Watt					9.80 x 3.00 x 2.74					
		200	200 Watt					9.80 x 3.00 x 2.74					
300	300 Watt	10.07 x 4.20 x 3.50											