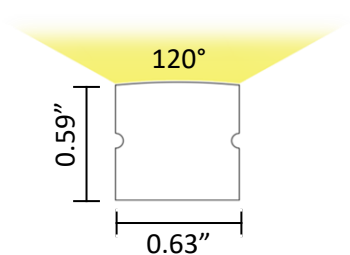
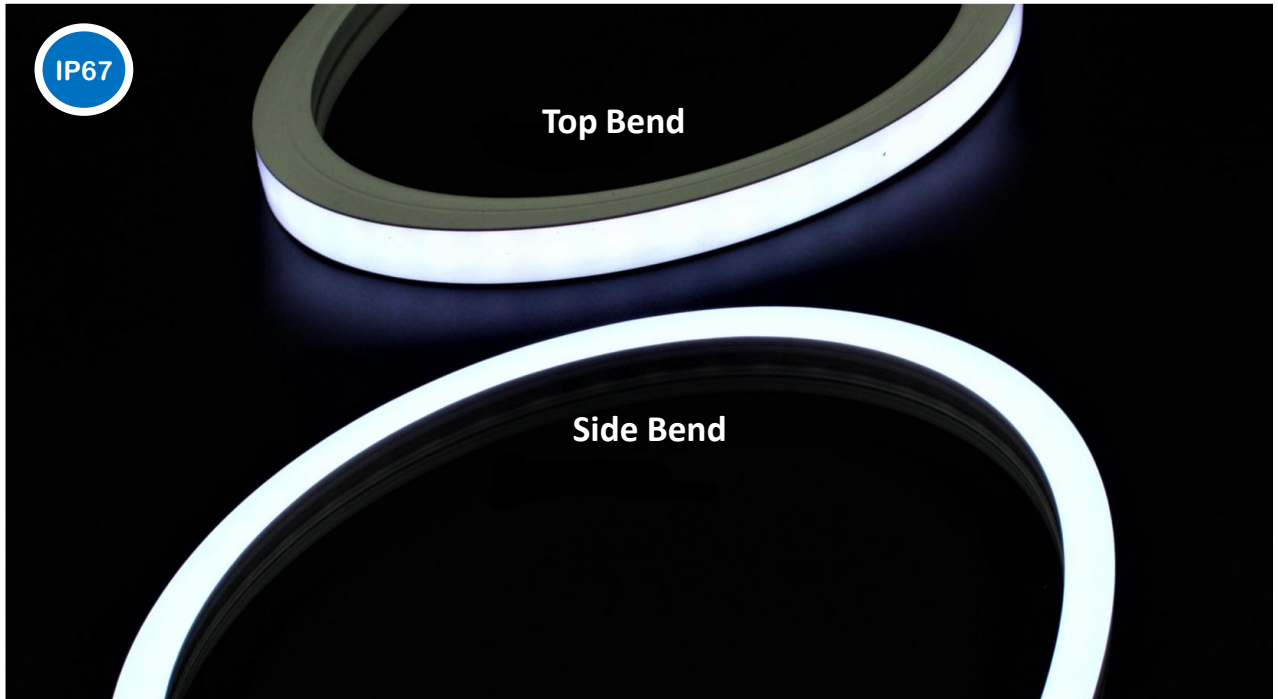


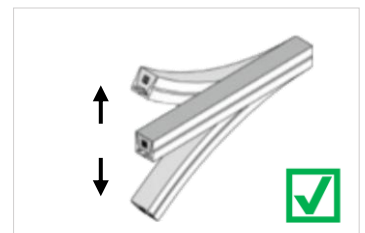
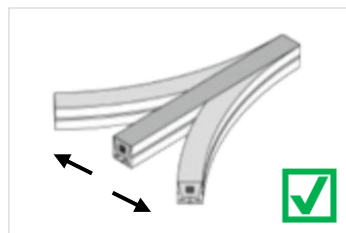
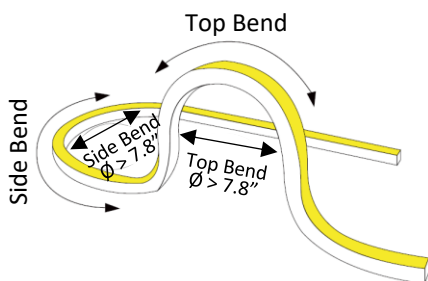
LWD16F – London Wave Dual View



London Wave Dual Bending horizontally and vertically is an improved Neon Flex replacement using latest LED technology and creates pixilation free, uniform light lines, straight or curved. Made from UV-resistant silicone. The 120° light output provides direct as well as lateral light. Can be used with aluminum extrusions for straight lines or with the flexible extrusion to keep curves exactly as desired. Also mounts to the surface with mounting clips.



Bending Instruction



Technical Information:

Product	CCT	Output (lm/ft)	Consump. (watt/ft)	Efficacy (lm/watt)	CRI	Voltage	Max Length	Min Cut
115	2100K	~ 95	~ 1.5 W	~ 61	>90	24V	49.2'	1.97"
	2400K	~ 105	~ 1.5 W	~ 70	>90	24V	49.2'	1.97"
	2700K	~ 105	~ 1.5 W	~ 70	>90	24V	49.2'	1.97"
	3000K	~ 110	~ 1.5 W	~ 71	>90	24V	49.2'	1.97"
	3500K	~ 115	~ 1.5 W	~ 75	>90	24V	49.2'	1.97"
	4000K	~ 120	~ 1.5 W	~ 78	>90	24V	49.2'	1.97"
	5000K	~ 120	~ 1.5 W	~ 78	>90	24V	49.2'	1.97"
	6000K	~ 120	~ 1.5 W	~ 78	>90	24V	49.2'	1.97"
225	2100K	~ 185	~ 3.0 W	~ 61	>90	24V	32.8'	1.97"
	2400K	~ 205	~ 3.0 W	~ 70	>90	24V	32.8'	1.97"
	2700K	~ 205	~ 3.0 W	~ 70	>90	24V	32.8'	1.97"
	3000K	~ 215	~ 3.0 W	~ 71	>90	24V	32.8'	1.97"
	3500K	~ 225	~ 3.0 W	~ 75	>90	24V	32.8'	1.97"
	4000K	~ 230	~ 3.0 W	~ 78	>90	24V	32.8'	1.97"
	5000K	~ 235	~ 3.0 W	~ 78	>90	24V	32.8'	1.97"
	6000K	~ 235	~ 3.0 W	~ 78	>90	24V	32.8'	1.97"
SR	Red	Red	~ 3.0 W	N/A	N/A	24V	32.8'	1.97"
SG	Green	Green	~ 3.0 W	N/A	N/A	24V	32.8'	1.97"
SB	Blue	Blue	~ 3.0 W	N/A	N/A	24V	32.8'	1.97"
SY	Yellow	Yellow	~ 3.0 W	N/A	N/A	24V	32.8'	1.97"
SP	Pink	Pink	~ 3.0 W	N/A	N/A	24V	32.8'	1.97"
SO	Orange	Orange	~ 3.0 W	N/A	N/A	24V	32.8'	1.97"
RGB	RGB	~ 85	~ 3.0 W	~ 28	N/A	24V	16.4'	1.97"
TW	2700K/6500K	~ 160	~ 3.0 W	~ 52	>90	24V	16.4'	1.97"
DTW	1800K-3000K	~ 120	~ 2.3 W	~ 53	>90	24V	16.4'	2.81"

LWD16F – London Wave Dual View



Ordering Code

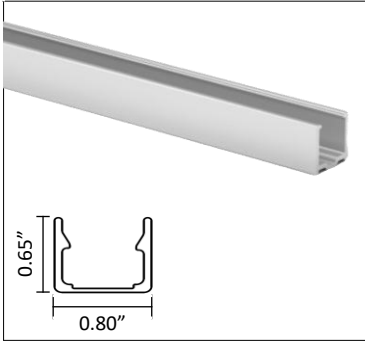
Example: LWD16F-22530-AL-DUD-16'-F
 London Wave Dual View 16F, ~225 lm/ft, 3000K,
 Flexible Extrusion, Dimming, 16 ft, Front cable entry

LWD16F	225	30	FLX	DUD	16'	F
---------------	------------	-----------	------------	------------	------------	----------

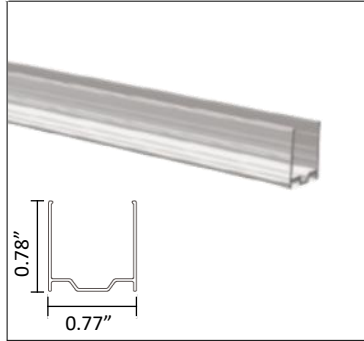
Model	Output	CCT	Accessories	Driver	Length	Cable Entry
LWD16F	115 ~ 115 lm/ft	21 2100K	AL	NTR	Enter run length	F Front
London Wave Dual View	225 ~ 225 lm/ft	24 2400K 27 2700K 30 3000K 35 3500K 40 4000K 50 5000K 60 6000K	Aluminum Extrusion	Non-Dimming		S Side
			PC PC Extrusion	DUD Dimming 0.1%-100% Triac/0-10V/ 10V PWM/ Potentiometer		B Bottom
	SR Static Red	N/A	FLX Flexible Extrusion	FPD Dimming 1%-100%		
	SG Static Green		MI Mud-In Extrusion			
	SB Static Blue		MC Mounting Clip			
	SY Static Yellow					
	SP Static Pink					
	SO Static Orange					
	RGB RGB	N/A				
	TW Tunable White	2700K-6500K	MCS Stainless Steel Mounting Clip			
	DTW Dim-To-Warm	1800K-3000K				

Compatible Accessories:

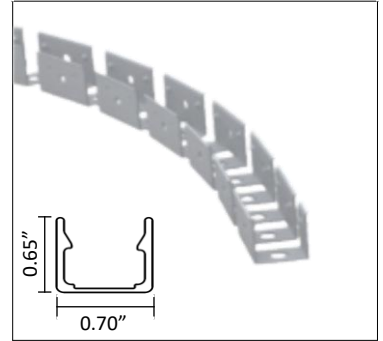
LWD16F-AL
Aluminum Extrusion



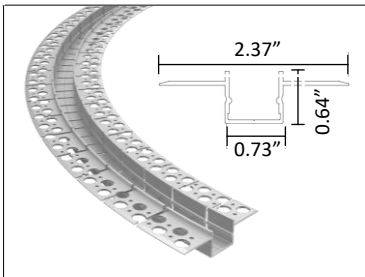
LWD16F-PC
PC Extrusion



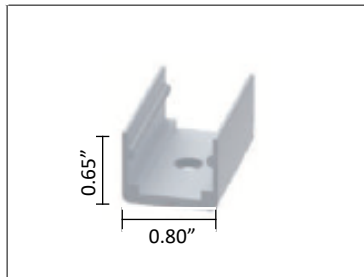
LWD16F-FLX
Flexible Extrusion



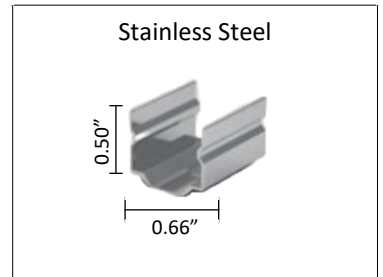
LWD16F-MI
Mud-In Extrusion



LWD16F-MC
Mounting Clip








LWD16F-MCS
Mounting Clip



Cable Entry:



Power Supply Ordering Codes

DUD		+	60		+	IP65		DUD60IP65 - Dimming, 60 Watt, IP65							
MODEL		+	POWER		+	IP RATING		INPUT	OUTPUT	DIMENSION					
NTR Non-Dimming			50	50 Watt		IP00 Indoor		88-264V	24V	3.90 x 3.82 x 1.42					
		75	75 Watt	5.08 x 3.82 x 1.50											
		100	100 Watt	6.26 x 3.82 x 1.50											
		150	150 Watt	7.84 x 3.85 x 1.50											
		200	200 Watt	8.46 x 4.53 x 1.18											
		320	320 Watt	8.46 x 4.53 x 1.18											
		750	750 Watt	9.84 x 5.00 x 1.61											
		960	960 Watt	11.60 x 5.00 x 1.61											
		12	12 Watt							IP42 Indoor		90-264V	24V	3.03 x 1.57 x 1.14	
		16	16 Watt											3.03 x 1.57 x 1.14	
		25	25 Watt											3.31 x 2.24 x 1.16	
		35	35 Watt											3.31 x 2.24 x 1.16	
	20	20 Watt		IP67 Outdoor		90-264V	24V	4.65 x 1.38 x 1.02							
	35	35 Watt						5.83 x 1.57 x 1.18							
	60	60 Watt						6.40 x 1.67 x 1.26							
	100	100 Watt						7.48 x 2.05 x 1.46							
	150	150 Watt						7.52 x 2.48 x 1.48							
	240	240 Watt						9.61 x 2.68 x 1.53							
	320	320 Watt	9.92 x 3.54 x 1.72												
DUD Dimming 0.1%-100%	Universal: Triac/0-10V/ 10V PWM/ Potentiometer		18	18 Watt		IP65 Outdoor		110-277V	24V	5.04 x 2.09 x 0.83					
			24	24 Watt						5.04 x 2.09 x 0.83					
			36	36 Watt						5.98 x 2.32 x 0.83					
			48	48 Watt						5.98 x 2.32 x 0.83					
			60	60 Watt						5.98 x 2.32 x 0.83					
			80	80 Watt						7.17 x 2.32 x 0.83					
			96	96 Watt						7.16 x 2.48 x 1.49					
			120	120 Watt						7.16 x 2.48 x 1.49					
			150	150 Watt						9.92 x 2.48 x 1.49					
			200	200 Watt						9.92 x 2.48 x 1.49					
			300	300 Watt						12.1 x 2.48 x 1.49					
		FPD Dimming min 1% (Forward Phase)								40	40 Watt		IP67 Outdoor		120V
	60			60 Watt	4.92 x 2.20 x 0.79										
	75			75 Watt	4.92 x 2.20 x 0.79										
	96			96 Watt	4.92 x 2.20 x 0.79										
FPD Dimming min 1% (Forward Phase) with junction box			20	20 Watt		IP14 Indoor		120V	24V	5.60 x 2.00 x 2.14					
			40	40 Watt						5.60 x 2.00 x 2.14					
			60	60 Watt						6.62 x 2.58 x 2.33					
			96	96 Watt						6.62 x 2.58 x 2.33					
			150	150 Watt						9.80 x 3.00 x 2.74					
			200	200 Watt						9.80 x 3.00 x 2.74					
	300	300 Watt	10.07 x 4.20 x 3.50												