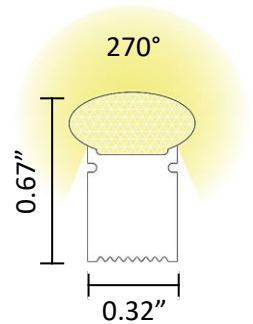
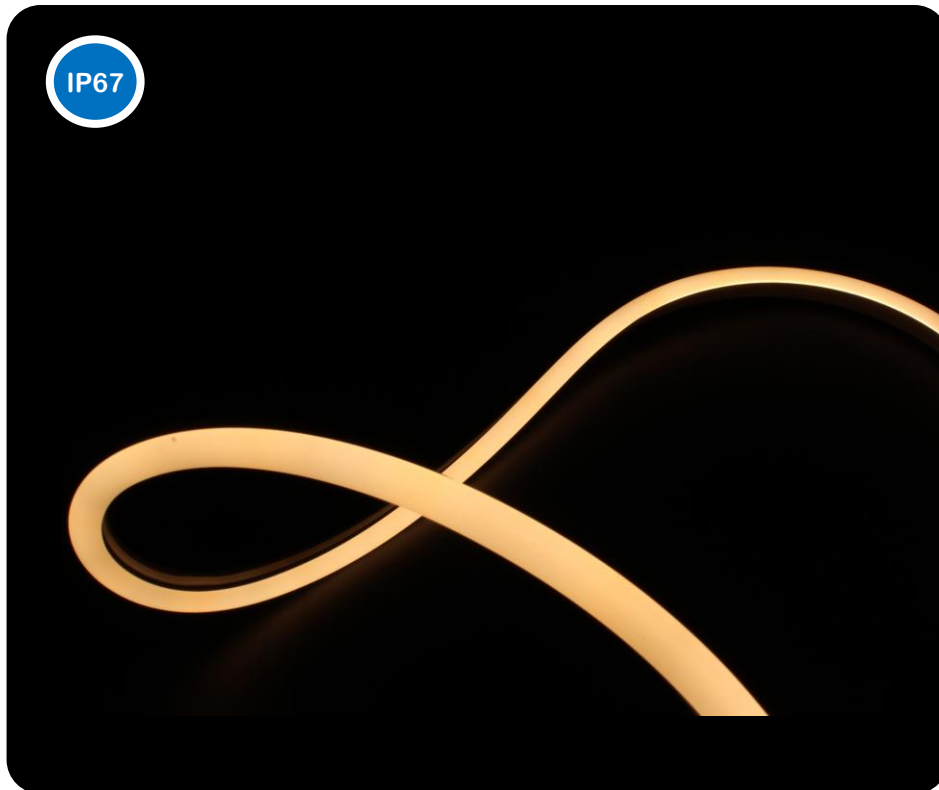


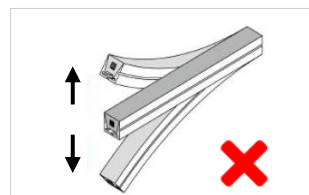
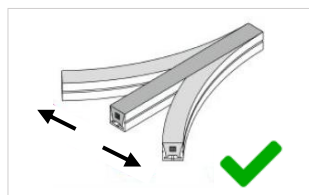
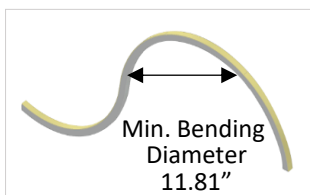
# LWS08D – London Wave Side View



London Wave is an improved Neon Flex replacement using latest LED technology and creates pixilation free, uniform light lines, straight or curved. Made from UV-resistant silicone. The 270° light output provides direct as well as lateral and back light. Can be used with aluminum extrusion for straight lines or with the flexible extrusion to keep curves exactly as desired. Also mounts to the surface with mounting clips.



## Bending Instruction



## Technical Information:

Product Group	CCT	Output (lm/ft)	Consump. (watt/ft)	Efficacy (lm/watt)	CRI	Voltage	Max Length	Min Cut
<b>060</b>	2400K	~ 60	2.3 W	~ 26	>90	24V	32'	1.97"
	2700K	~ 60	2.3 W	~ 26	>90	24V	32'	1.97"
	3000K	~ 65	2.3 W	~ 28	>90	24V	32'	1.97"
	3500K	~ 65	2.3 W	~ 28	>90	24V	32'	1.97"
	4000K	~ 70	2.3 W	~ 31	>90	24V	32'	1.97"
<b>105</b>	2400K	~ 90	4.3 W	~ 21	>90	24V	26'	1.97"
	2700K	~ 100	4.3 W	~ 23	>90	24V	26'	1.97"
	3000K	~ 100	4.3 W	~ 23	>90	24V	26'	1.97"
	3500K	~ 105	4.3 W	~ 25	>90	24V	26'	1.97"
	4000K	~ 105	4.3 W	~ 25	>90	24V	26'	1.97"
<b>175</b>	2400K	~ 160	4.4 W	~ 36	>90	24V	32'	1.97"
	2700K	~ 170	4.4 W	~ 39	>90	24V	32'	1.97"
	3000K	~ 175	4.4 W	~ 40	>90	24V	32'	1.97"
	3500K	~ 180	4.4 W	~ 41	>90	24V	32'	1.97"
	4000K	~ 185	4.4 W	~ 42	>90	24V	32'	1.97"

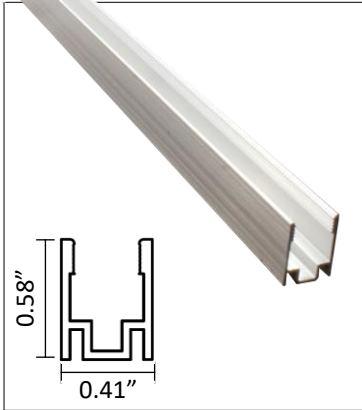
# LWS08D – London Wave Side View



## Compatible Accessories:

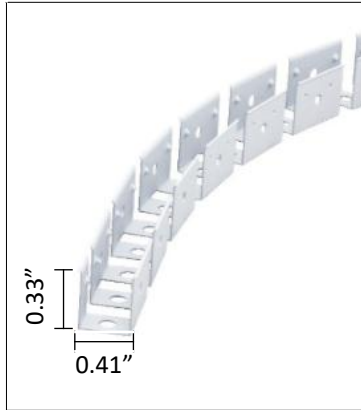
**LWS08D-AL**

Aluminum Extrusion



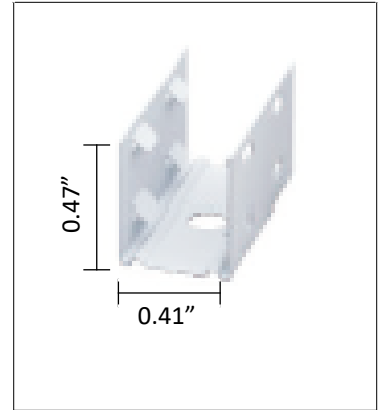
**LWS08D-FLX**

Flexible Extrusion



**LWS08D-MC**

Mounting Clip



## Ordering Code







**Example: LWS08D-15030-AL-DTR-16'**

London Wave Side View, ~150 lm/ft, 3000K, Linear Extrusion, Dimming, 16 ft

LWS08D	-	150	-	30	-	AL	-	DTR	-	16'
--------	---	-----	---	----	---	----	---	-----	---	-----

Model	+	Output	+	CCT	+	Accessories	+	Driver	+	Length
<b>LWS08D</b>		<b>060</b>	~ 60 lm/ft	<b>24</b>	2400K	<b>AL</b>		<b>NTR</b>		<b>Enter</b>
London Wave		<b>105</b>	~ 105 lm/ft	<b>27</b>	2700K	Linear Extrusion		Non-Dimming		<b>length</b>
Side View		<b>175</b>	~ 175 lm/ft	<b>30</b>	3000K					
				<b>35</b>	3500K	<b>FLX</b>		<b>DTR</b> Dimming		
				<b>40</b>	4000K	Flexible Extrusion		0-10V, to 10%		
						<b>MC</b>		<b>DUR</b> Dimming		
						Mounting Clip		0-10V, to 1%		
								<b>FPD</b> Dimming		
								1%-100%		

## Power Supply Ordering Codes

DTR		+	60		+	IP67		DTR60IP67 - Dimming, 60 Watt, IP67						
MODEL		+	POWER		+	IP RATING		INPUT	OUTPUT	DIMENSION				
<b>NTR</b> Non-Dimming [UL Recognized]			<b>50</b>	50 Watt		<b>IP00</b> Indoor	88-264V	24V	3.90 x 3.82 x 1.42					
		<b>75</b>	75 Watt	5.08 x 3.82 x 1.50										
		<b>100</b>	100 Watt	6.26 x 3.82 x 1.50										
		<b>150</b>	150 Watt	7.84 x 3.85 x 1.50										
		<b>200</b>	200 Watt	8.46 x 4.53 x 1.18										
		<b>320</b>	320 Watt	8.46 x 4.53 x 1.18										
		<b>750</b>	750 Watt	9.84 x 5.00 x 1.61										
		<b>960</b>	960 Watt	11.60 x 5.00 x 1.61										
		<b>12</b>	12 Watt						<b>IP42</b> Indoor	90-264V	24V	3.03 x 1.57 x 1.14		
		<b>16</b>	16 Watt									3.03 x 1.57 x 1.14		
	<b>25</b>	25 Watt	3.31 x 2.24 x 1.16											
	<b>35</b>	35 Watt	3.31 x 2.24 x 1.16											
	<b>20</b>	20 Watt		<b>IP67</b> Outdoor	90-264V	24V	4.65 x 1.38 x 1.02							
	<b>35</b>	35 Watt					5.83 x 1.57 x 1.18							
	<b>60</b>	60 Watt					6.40 x 1.67 x 1.26							
	<b>100</b>	100 Watt					7.48 x 2.05 x 1.46							
	<b>150</b>	150 Watt					7.52 x 2.48 x 1.48							
	<b>240</b>	240 Watt					9.61 x 2.68 x 1.53							
	<b>320</b>	320 Watt					9.92 x 3.54 x 1.72							
<b>DTR</b> Dimming min 10% (0-10V) [UL Recognized]		<b>16</b>	16 Watt		<b>IP30</b> Indoor	90-305V	24V	5.83 x 1.57 x 1.26						
		<b>25</b>	25 Watt					<b>IP67</b> Outdoor	90-305V	24V	5.83 x 1.57 x 1.26			
		<b>40</b>	40 Watt								6.40 x 1.70 x 1.26			
		<b>60</b>	60 Watt								6.40 x 1.70 x 1.26			
		<b>90</b>	90 Watt								6.34 x 2.40 x 1.42			
		<b>96</b>	96 Watt								8.66 x 2.68 x 1.53			
		<b>120</b>	120 Watt								8.66 x 2.68 x 1.53			
		<b>150</b>	150 Watt								8.97 x 2.68 x 1.58			
		<b>185</b>	185 Watt								8.97 x 2.68 x 1.58			
		<b>240</b>	240 Watt								9.88 x 2.68 x 1.58			
	<b>320</b>	320 Watt	9.92 x 3.54 x 1.72											
	<b>480</b>	480 Watt	10.32 x 4.92 x 1.72											
	<b>600</b>	600 Watt	11.02 X 5.67 X 1.91											
<b>FPD</b> Dimming min 1% (Forward Phase) [UL Recognized]		<b>20</b>	20 Watt		<b>IP67</b> Outdoor	120V	24V	4.92 x 2.20 x 0.79						
		<b>40</b>	40 Watt					4.92 x 2.20 x 0.79						
		<b>60</b>	60 Watt					4.92 x 2.20 x 0.79						
		<b>75</b>	75 Watt					4.92 x 2.20 x 0.79						
		<b>96</b>	96 Watt					4.92 x 2.20 x 0.79						
<b>FPD</b> Dimming min 1% (Forward Phase) with junction box [ETL Listed]		<b>20</b>	20 Watt		<b>IP14</b> Outdoor	120V	24V	5.60 x 2.00 x 2.14						
		<b>40</b>	40 Watt					5.60 x 2.00 x 2.14						
		<b>60</b>	60 Watt					6.62 x 2.58 x 2.33						
		<b>96</b>	96 Watt					6.62 x 2.58 x 2.33						
		<b>150</b>	150 Watt					9.80 x 3.00 x 2.74						
		<b>200</b>	200 Watt					9.80 x 3.00 x 2.74						
	<b>300</b>	300 Watt	10.07 x 4.20 x 3.50											