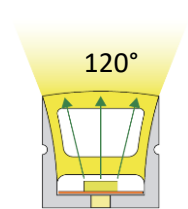
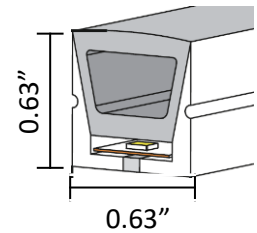


LWT16F – London Wave Top View

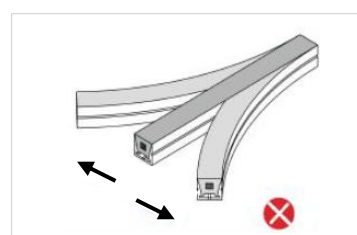
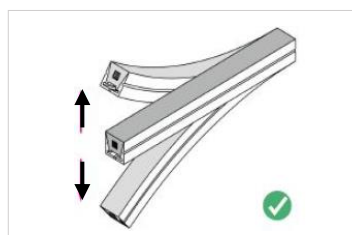
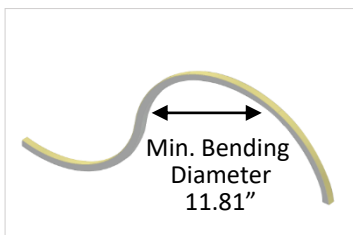


London Wave is an improved Neon Flex replacement using latest LED technology and creates pixilation free light lines, straight or curved. Made from UV stabilized silicone. Mounts to the surface with mounting clips or aluminum extrusion.



- Waterproof IP67
- LM-80 Compliant
- 3 Step MacAdam
- UV Protected

Bending Instruction



LWT16F – London Wave Top View



Technical Information:

Product	CCT	Output (lm/ft)	LEDs/ft	Consump. (watt/ft)	Efficacy (lm/watt)	CRI	Voltage	Max run length	Cut increment
100	2700K	~ 85	98	2.4	79	>90	24V	32'	1"
	3000K	~ 90	98	2.4	83	>90	24V	32'	1"
	3500K	~ 95	98	2.4	84	>90	24V	32'	1"
	4000K	~ 100	98	2.4	89	>90	24V	32'	1"
180	2700K	~ 160	98	4.1	88	>90	24V	26'	1"
	3000K	~ 170	98	4.1	92	>90	24V	26'	1"
	3500K	~ 180	98	4.1	97	>90	24V	26'	1"
	4000K	~ 185	98	4.1	99	>90	24V	26'	1"
255	2700K	~ 220	98	5.5	87	>90	24V	23'	1"
	3000K	~ 235	98	5.5	92	>90	24V	23'	1"
	3500K	~ 255	98	5.5	101	>90	24V	23'	1"
	4000K	~ 270	98	5.5	105	>90	24V	23'	1"
SR	Red	Red	72	6.0	4	N/A	24V	16'	1"
SG	Green	Green	72	6.0	22	N/A	24V	16'	1"
SB	Blue	Blue	72	6.0	5	N/A	24V	16'	1"
SY	Yellow	Yellow	72	6.0	2	N/A	24V	16'	1"
RGB	RGB	RGB	73	5.0	56	N/A	24V	16'	1"
RGBW	RGBW	137	29	7.0	44	N/A	24V	16'	2.46"
TW1865	1800K-6500K	27-382	73	5.8	10-146	>90	24V	16'	1.97"
TW2740	2700K-4000K	95-193	73	5.8	36-74	>90	24V	16'	1.97"

Ordering Code:

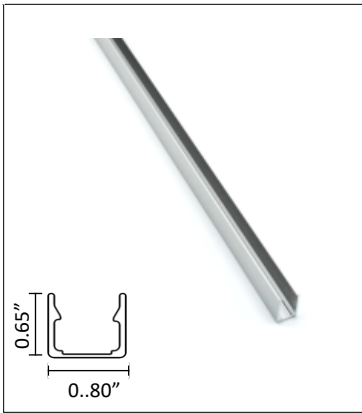
LWT16F + **255** + **35** = **LWT16F-25535**

London Wave Top View
~255 lm/ft, 3500K

Model	Output	CCT
LWT16F = London Wave Top View	100 ~ 100 lm/ft 185 ~ 185 lm/ft 255 ~ 255 lm/ft	27 = 2700k 30 = 3000k 35 = 3500k 40 = 4000k
	TW = Tunable White	1865 = 1800k-6500k 2740 = 2700k-4000k
	SR = Static Red SG = Static Green SB = Static Blue SY = Static Yellow RGB = RGB RGBW = RGBW	N/A

Compatible Accessories:

Aluminum Extrusion



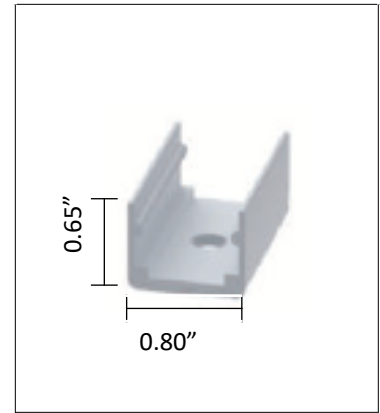
LWT16F-AL

Flexible Extrusion



LWT16F-FLX

Mounting Clip



LWT16F-MC

Power Supply Ordering Codes

DTR		+	60		+	IP67		DTR60IP67 - Dimming, 60 Watt, IP67			
MODEL		+	POWER		+	IP RATING		INPUT	OUTPUT	DIMENSION	
NTR Non-Dimming			50	50 Watt		IP00	Indoor	88-264V	24V	3.90 X 3.82 X 1.42	
			75	75 Watt	5.08 X 3.82 X 1.50						
			100	100 Watt	6.26 X 3.82 X 1.50						
			150	150 Watt	7.84 X 3.85 X 1.50						
			12	12 Watt		IP42	Indoor	90-264V	24V	3.03 X 1.57 X 1.14	
			16	16 Watt	3.03 X 1.57 X 1.14						
			25	25 Watt	3.31 X 2.24 X 1.16						
			35	35 Watt	3.31 X 2.24 X 1.16						
			20	20 Watt		IP67	Outdoor	90-264V	24V	4.65 X 1.38 X 1.02	
			35	35 Watt	5.83 X 1.57 X 1.18						
			60	60 Watt	6.40 X 1.67 X 1.26						
			100	100 Watt	7.48 X 2.05 X 1.46						
	DTR Dimming (0-10V)			16	16 Watt		IP67	Outdoor	90-305V	24V	5.83 X 1.57 X 1.26
			25	25 Watt	5.83 X 1.57 X 1.26						
			40	40 Watt	6.40 X 1.70 X 1.26						
			60	60 Watt	6.40 X 1.70 X 1.26						
			90	90 Watt	6.34 X 2.40 X 1.42						
			100	100 Watt	8.66 X 2.68 X 1.53						
			120	120 Watt	8.66 X 2.68 X 1.53						
			150	150 Watt	8.97 X 2.68 X 1.58						
			185	185 Watt	8.97 X 2.68 X 1.58						
			240	240 Watt	9.88 X 2.68 X 1.58						
		320	320 Watt	9.92 X 3.54 X 1.72							
		600	600 Watt	11.02 X 5.67 X 1.91							
FPD Dimming (Forward Phase)			20	20 Watt		IP67	Outdoor	120V	24V	4.92 X 1.97 X 0.77	
			40	40 Watt	4.92 X 1.97 X 0.77						
			60	60 Watt	4.92 X 1.97 X 0.77						
			75	75 Watt	4.92 X 1.97 X 0.77						
			96	96 Watt	4.92 X 1.97 X 0.77						