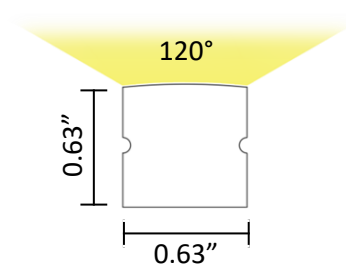


# LWT16F – London Wave Top View



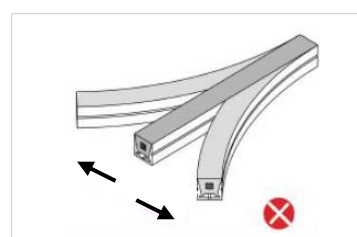
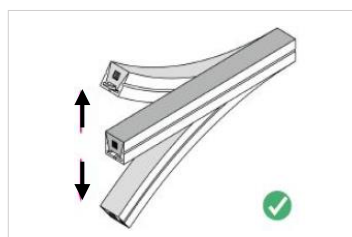
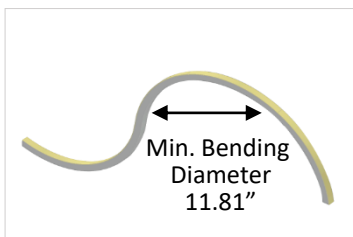
London Wave is an improved Neon Flex replacement using latest LED technology and creates pixilation free light lines, straight or curved. Made from UV stabilized silicone. Mounts to the surface with mounting clips or aluminum extrusion.

**White, Tunable White, RGB, RGBW**



- Waterproof IP67**
- LM-80 Compliant**
- 3 Step MacAdam**
- UV Protected**

## Bending Instruction



# LWT16F – London Wave Top View



## Technical Information:

Product	CCT	Output (lm/ft)	LEDs/ft	Consump. (watt/ft)	Efficacy (lm/watt)	CRI	Voltage	Max run length	Cut increment
<b>100</b>	2700K	~ 85	98	2.4	79	>90	24V	32'	1"
	3000K	~ 90	98	2.4	83	>90	24V	32'	1"
	3500K	~ 95	98	2.4	84	>90	24V	32'	1"
	4000K	~ 100	98	2.4	89	>90	24V	32'	1"
<b>180</b>	2700K	~ 160	98	4.1	88	>90	24V	26'	1"
	3000K	~ 170	98	4.1	92	>90	24V	26'	1"
	3500K	~ 180	98	4.1	97	>90	24V	26'	1"
	4000K	~ 185	98	4.1	99	>90	24V	26'	1"
<b>255</b>	2700K	~ 220	98	5.5	87	>90	24V	23'	1"
	3000K	~ 235	98	5.5	92	>90	24V	23'	1"
	3500K	~ 255	98	5.5	101	>90	24V	23'	1"
	4000K	~ 270	98	5.5	105	>90	24V	23'	1"
<b>SR</b>	Red	Red	72	6.0	4	N/A	24V	16'	1"
<b>SG</b>	Green	Green	72	6.0	22	N/A	24V	16'	1"
<b>SB</b>	Blue	Blue	72	6.0	5	N/A	24V	16'	1"
<b>SY</b>	Yellow	Yellow	72	6.0	2	N/A	24V	16'	1"
<b>RGB</b>	RGB	RGB	73	5.0	56	N/A	24V	16'	1"
<b>RGBW</b>	RGBW	137	29	7.0	44	N/A	24V	16'	2.46"
<b>TW1865</b>	1800K-6500K	27-382	73	5.8	10-146	>90	24V	16'	1.97"
<b>TW2740</b>	2700K-4000K	95-193	73	5.8	36-74	>90	24V	16'	1.97"

## Ordering Code:

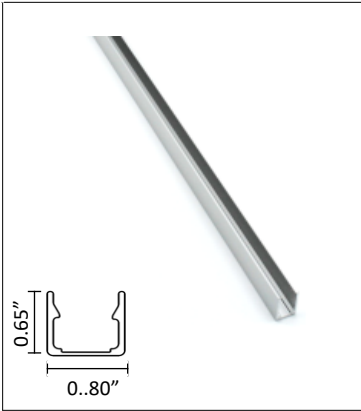
**LWT16F** + **255** + **35** = **LWT16F-25535**

London Wave Top View  
~255 lm/ft, 3500K

Model	Output	CCT
<b>LWT16F</b> = London Wave Top View	<b>100</b> ~ 100 lm/ft <b>185</b> ~ 185 lm/ft <b>255</b> ~ 255 lm/ft	<b>27</b> = 2700k <b>30</b> = 3000k <b>35</b> = 3500k <b>40</b> = 4000k
	<b>TW</b> = Tunable White	<b>1865</b> = 1800k-6500k <b>2740</b> = 2700k-4000k
	<b>SR</b> = Static Red <b>SG</b> = Static Green <b>SB</b> = Static Blue <b>SY</b> = Static Yellow <b>RGB</b> = RGB <b>RGBW</b> = RGBW	N/A

## Compatible Accessories:

Aluminum Extrusion



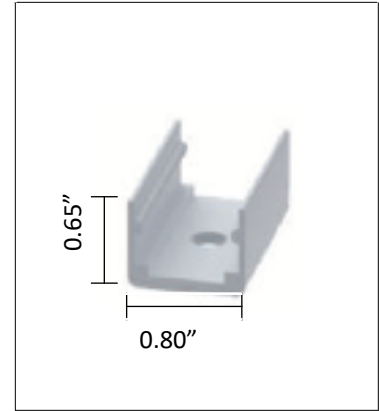
LWT16F-AL

Flexible Extrusion



LWT16F-FLX

Mounting Clip



LWT16F-MC

# LWT16F – London Wave Top View



## Power Supply Ordering Codes

DTR		+	60		+	IP67		DTR60IP67 - Dimming, 60 Watt, IP67			
MODEL		+	POWER		+	IP RATING		INPUT	OUTPUT	DIMENSION	
<b>NTR</b> Non-Dimming			<b>50</b>	50 Watt		<b>IP00</b>	Indoor	88-264V	24V	3.90 X 3.82 X 1.42	
			<b>75</b>	75 Watt	5.08 X 3.82 X 1.50						
			<b>100</b>	100 Watt	6.26 X 3.82 X 1.50						
			<b>150</b>	150 Watt	7.84 X 3.85 X 1.50						
			<b>12</b>	12 Watt		<b>IP42</b>	Indoor	90-264V	24V	3.03 X 1.57 X 1.14	
			<b>16</b>	16 Watt	3.03 X 1.57 X 1.14						
			<b>25</b>	25 Watt	3.31 X 2.24 X 1.16						
			<b>35</b>	35 Watt	3.31 X 2.24 X 1.16						
			<b>20</b>	20 Watt		<b>IP67</b>	Outdoor	90-264V	24V	4.65 X 1.38 X 1.02	
			<b>35</b>	35 Watt	5.83 X 1.57 X 1.18						
			<b>60</b>	60 Watt	6.40 X 1.67 X 1.26						
			<b>100</b>	100 Watt	7.48 X 2.05 X 1.46						
<b>DTR</b> Dimming (0-10V)			<b>16</b>	16 Watt		<b>IP67</b>	Outdoor	90-305V	24V	5.83 X 1.57 X 1.26	
			<b>25</b>	25 Watt	5.83 X 1.57 X 1.26						
			<b>40</b>	40 Watt	6.40 X 1.70 X 1.26						
			<b>60</b>	60 Watt	6.40 X 1.70 X 1.26						
			<b>90</b>	90 Watt	6.34 X 2.40 X 1.42						
			<b>100</b>	100 Watt	8.66 X 2.68 X 1.53						
			<b>120</b>	120 Watt	8.66 X 2.68 X 1.53						
			<b>150</b>	150 Watt	8.97 X 2.68 X 1.58						
			<b>185</b>	185 Watt	8.97 X 2.68 X 1.58						
			<b>240</b>	240 Watt	9.88 X 2.68 X 1.58						
		<b>320</b>	320 Watt	9.92 X 3.54 X 1.72							
		<b>600</b>	600 Watt	11.02 X 5.67 X 1.91							
<b>FPD</b> Dimming (Forward Phase)			<b>20</b>	20 Watt		<b>IP67</b>	Outdoor	120V	24V	4.92 X 1.97 X 0.77	
			<b>40</b>	40 Watt	4.92 X 1.97 X 0.77						
			<b>60</b>	60 Watt	4.92 X 1.97 X 0.77						
			<b>75</b>	75 Watt	4.92 X 1.97 X 0.77						
			<b>96</b>	96 Watt	4.92 X 1.97 X 0.77						