



# E-SERIES

## VOLTAGE DIMMABLE CLASS 2 LED DRIVER



P/N: E75R24DC

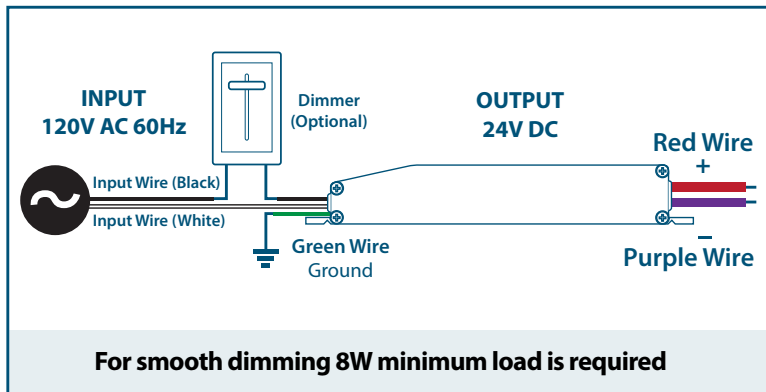


Magnitude's E75R24DC dimmable voltage LED driver is class 2 rated and designed to operate with any standard MLV/Incandescent TRIAC (Leading edge) dimmer switch. The driver's low profile aluminum case makes it the perfect choice for under cabinet lights, tape lights and various LED fixtures installations. Our electrical specification includes Auto Reset, over current and short circuit protection. Efficiency of 90% and higher allows the driver to operate at low temperatures.

### QUICK SPECS

Input Voltage	Max Output Power	Output Voltage	Max Output Current	Efficiency @ Max Load	THD @ Max. Load	Power Factor @ Max. Load	Envir. Protection Rating	Weight
120VAC	75W	24VDC	3.3 A	> 90%	< 20%	> 0.95	IP67	9oz / 255grams

### WIRING DIAGRAM

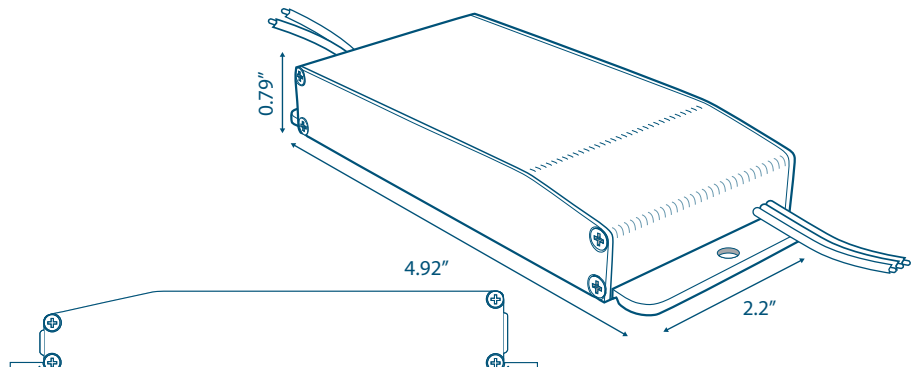


### FEATURES

- Dimmable with any standard MLV/Incandescent TRIAC- (Leading edge) dimmer switch
- Dim down to 1%
- Super compact ALUMINUM CASE.
- Class 2
- UL 8750
- IP67 - Withstands wet and salty conditions.
- Auto-Reset Protection for short circuits & over-voltage.
- FCC 15 part 2

### ENCLOSURE DETAILS In. (mm)

Length	4.92 (125)
Width	2.2 (56)
Height	0.79 (20)



## SPECIFICATIONS

### Input

Input Voltage	120VAC
Input Current @ Max Load	0.77 A
Power Factor	0.95
Efficiency	> 90%

### Output

Max Load	75W
Output Voltage	24VDC
Output Current @ Max Load	3.3 A

### Environmental

Operating Ambient Temperature	-30°C - 50°C (-22°F - 122°F)
-------------------------------	------------------------------

### Dimming

Minimum Dimming Level	1%
-----------------------	----

### Protections

Short Circuit Protection	Yes
Overcurrent Protection	Yes
Over Temperature	Yes
Open Circuit Protections	Yes

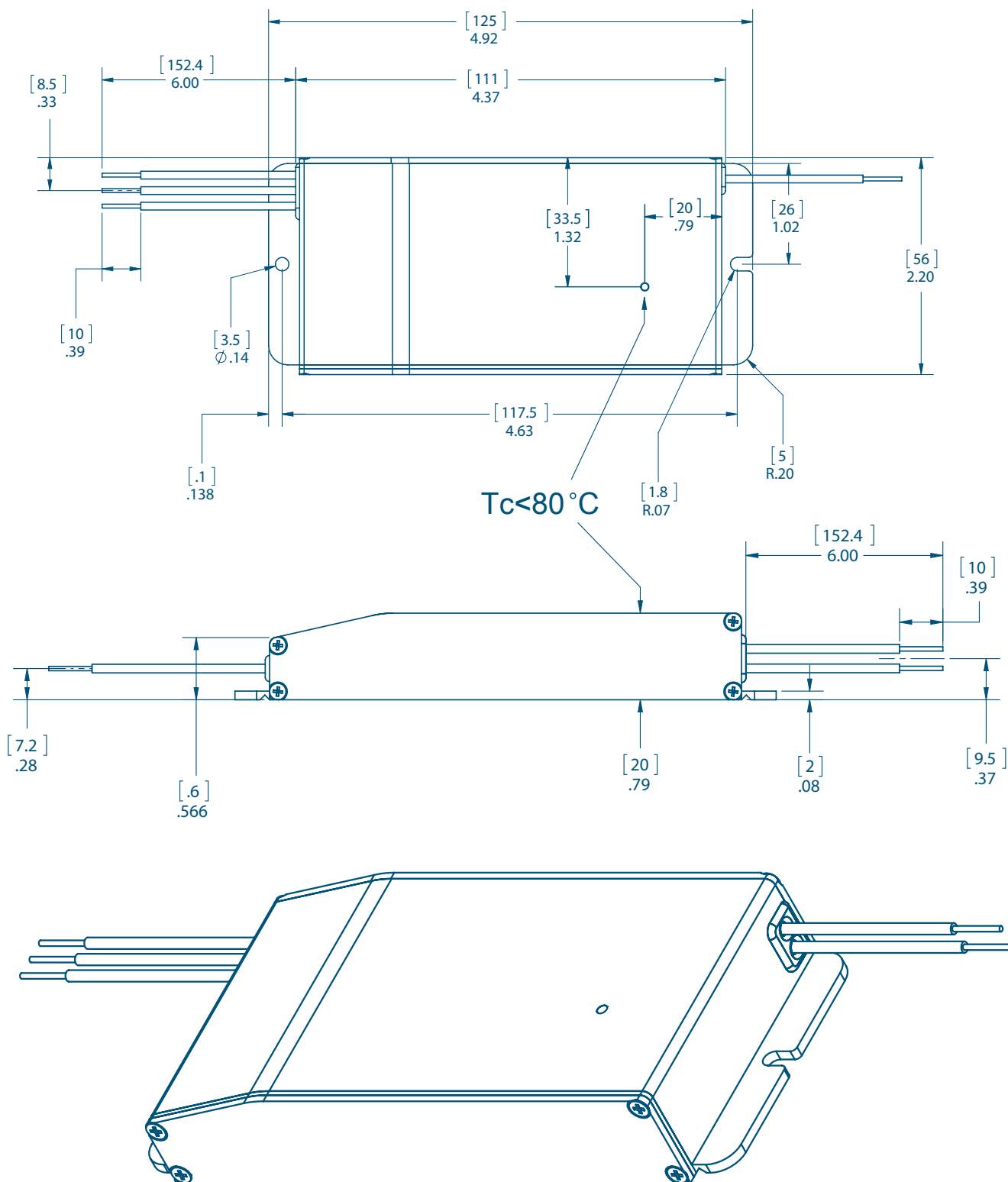
### Mechanical & Housing

Input Wires (White \ Black)	18 AWG
Output Wires (Red \ Black)	14 AWG
Length	4.92" (125mm)
Width	2.2" (56mm)
Height	0.79" (20mm)
Weight	9oz (255grams)
Housing Material	Anodized Aluminium
Housing Color	Blue
Junction Box	No
Mounting	Two Hole flange mounting

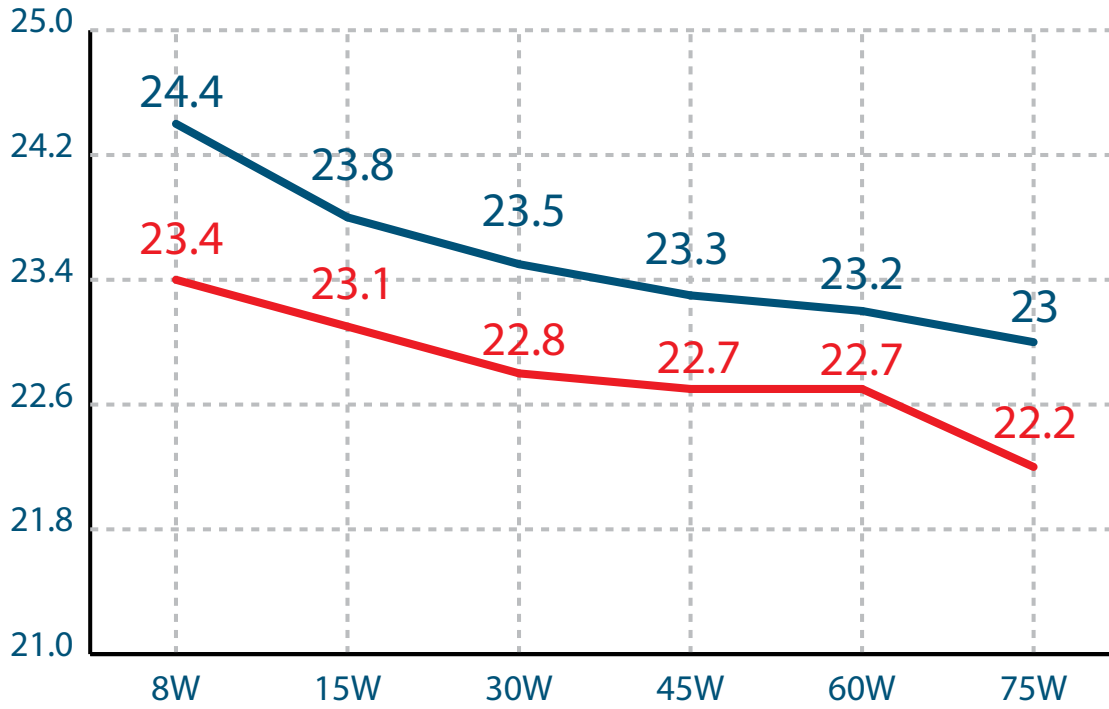
### Approval Markings

Certificates / Approval Signs	UL 8750, class 2
-------------------------------	------------------

### MECHANICAL DIAGRAM



# E-SERIES VOLTAGE DIMMABLE CLASS 2 LED DRIVER



— Output Voltage vs. Load  
— Output Voltage With a Typical TRIAC Dimmer (on Max)